

ASTORIDE

A6.0 ELLIPTICAL

USER MANUAL

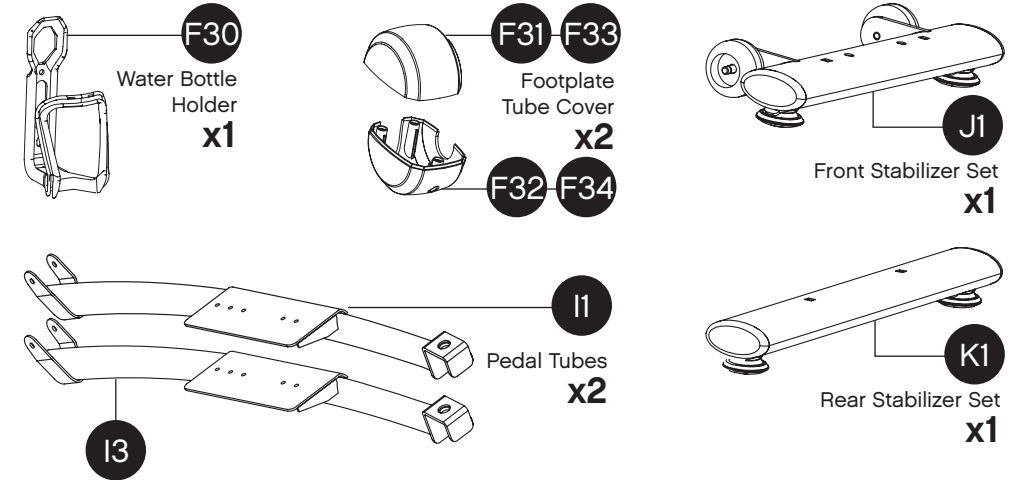
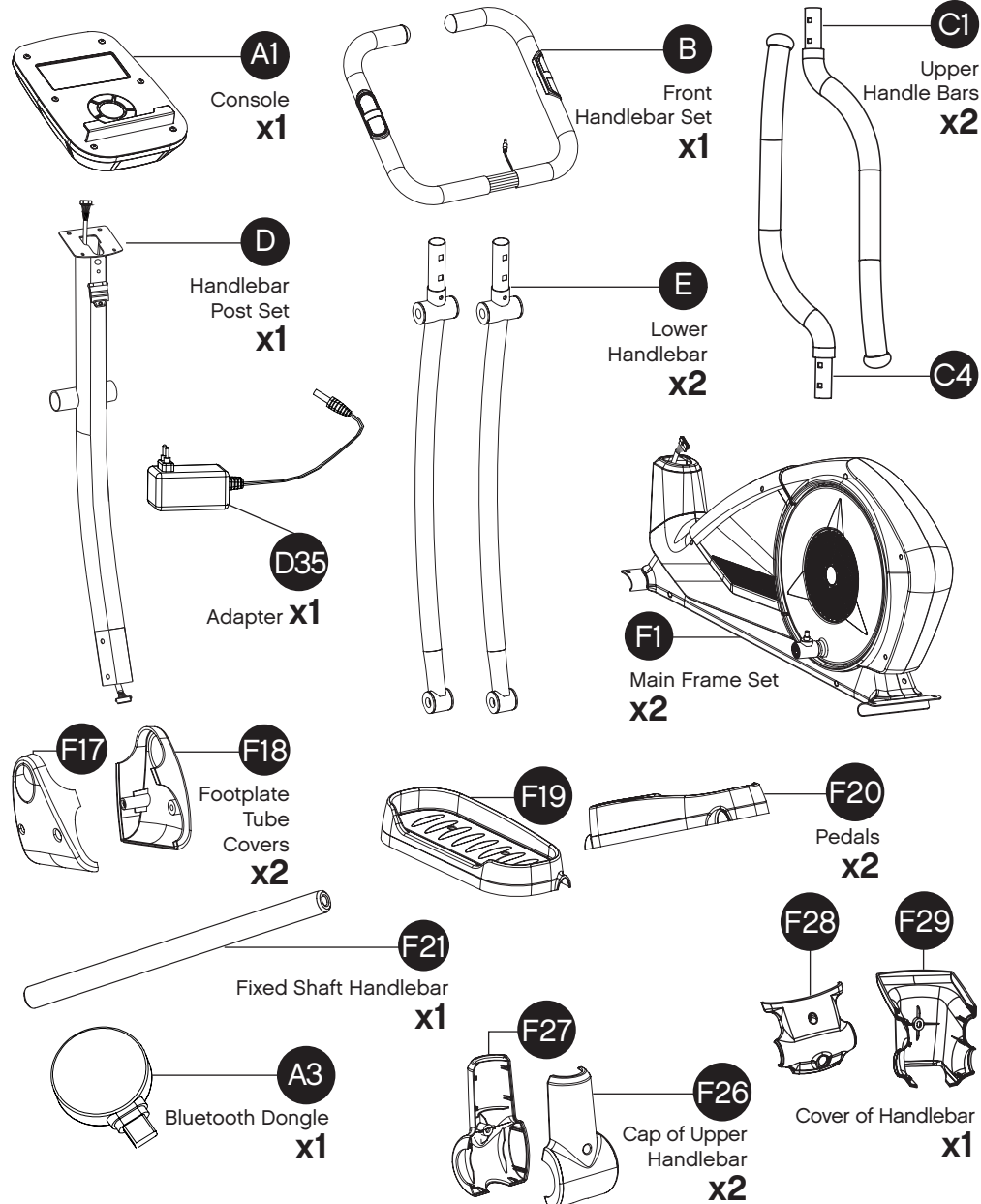
(+BLUETOOTH)



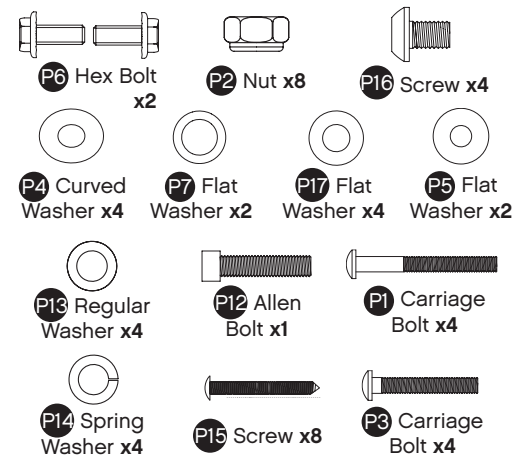
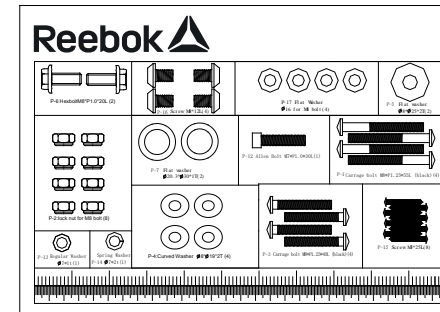
Reebok



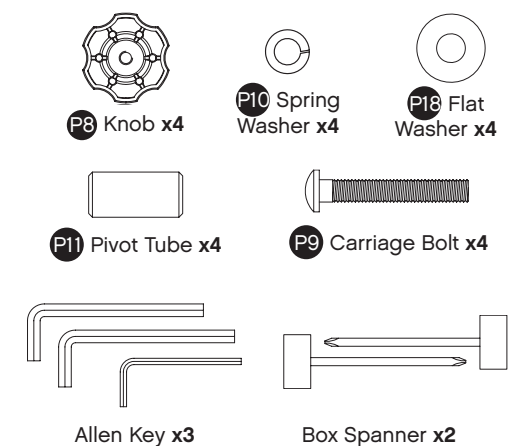
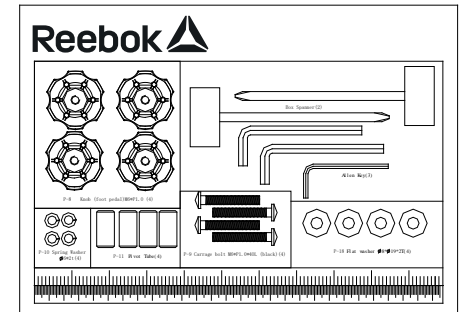
PARTS



HARDWARE PACK 1



HARDWARE PACK 2



Important: This appliance can be used by children aged from 12 years and above and persons with reduced physical, sensory or mental capabilities or lack of experience and knowledge if they have been given supervision or instruction concerning use of the appliance in a safe way and understand the hazards involved. Children shall not play with the appliance. Cleaning and user maintenance shall not be made by children without supervision.

1

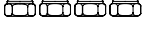
P1 Carriage Screw x4



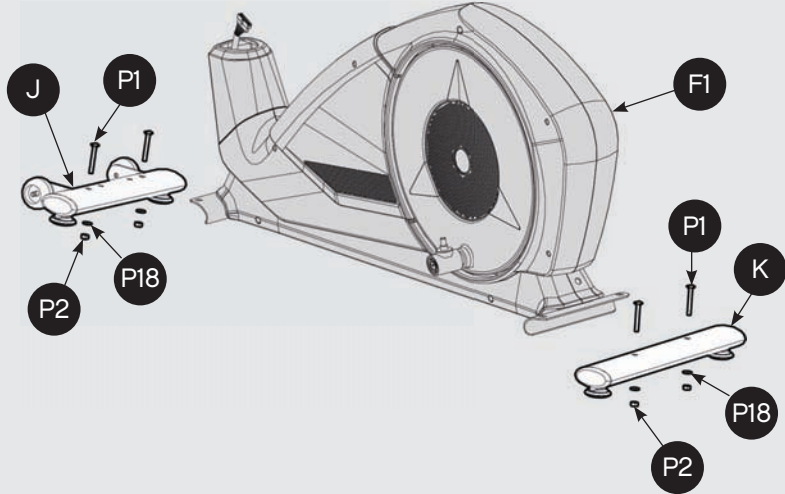
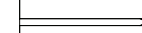
P18 Flat Washer x4



P2 Lock Nut x4

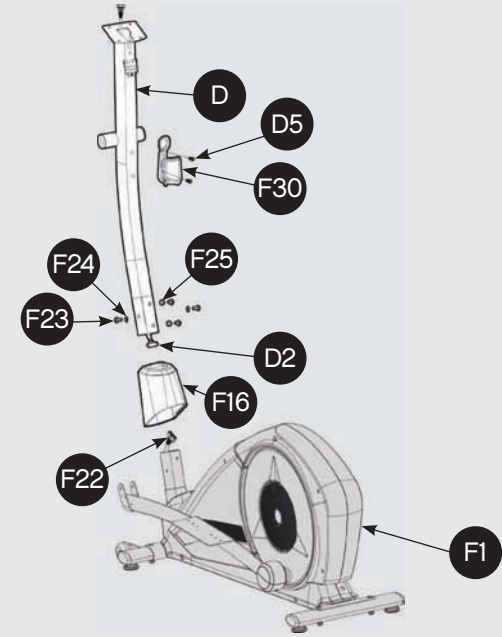
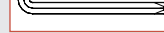


Box Spanner x1



3

Allen Key x1

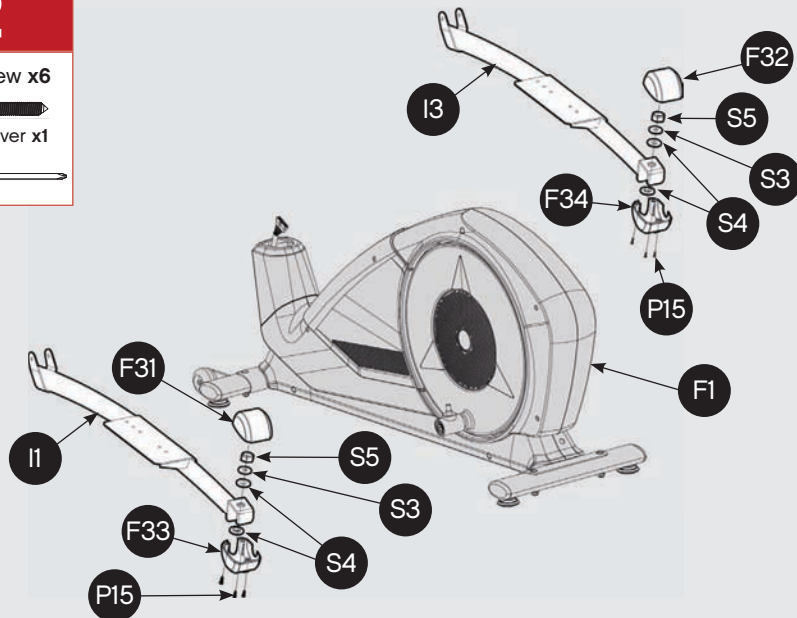


2

P15 Screw x6



Screwdriver x1



4

P5 Flat Washer x2



P6 Nylon x2



P7 Flat Washer x2



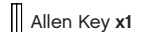
P16 Screw x4



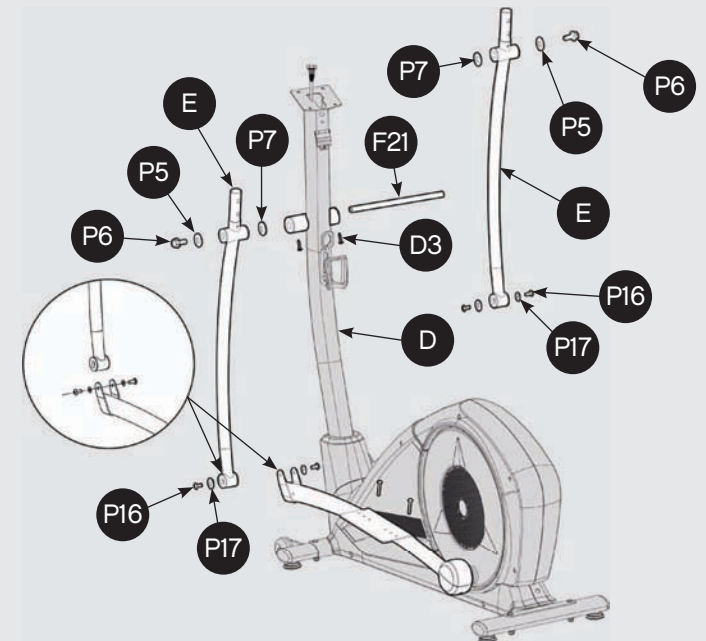
P17 Flat Washer x4



Allen Key x1

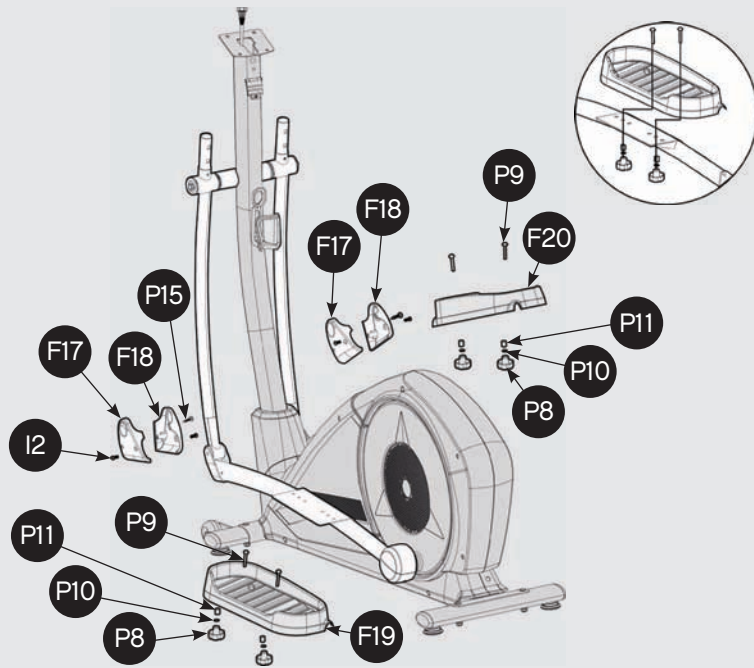


Box Spanner x1



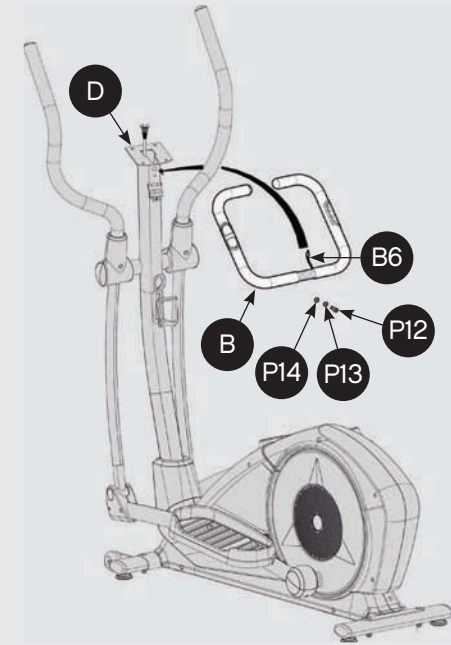
5

- I2** Screw x4
- P8** Knob of Pedal x4
- P9** Screw x4
- P10** Spring Washer x4
- P11** Bushing x4
- P15** Screw x2
- Box Spanner x1



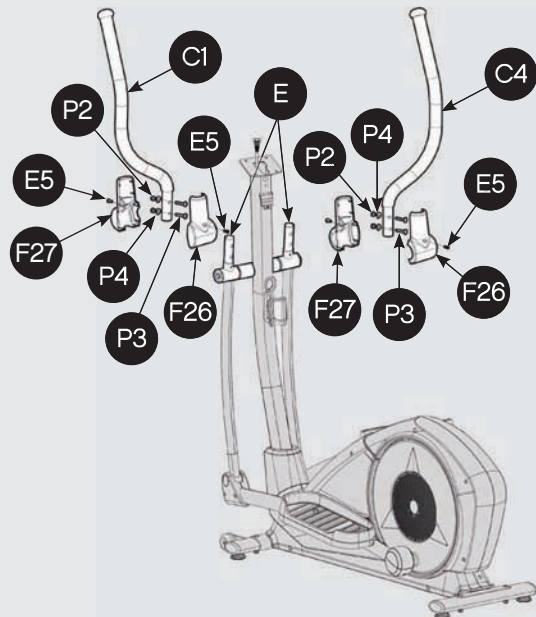
7

- P12** Allen Bolt x1
- P13** Flat Washer x1
- P14** Spring Washer x1
- Allen Key x1



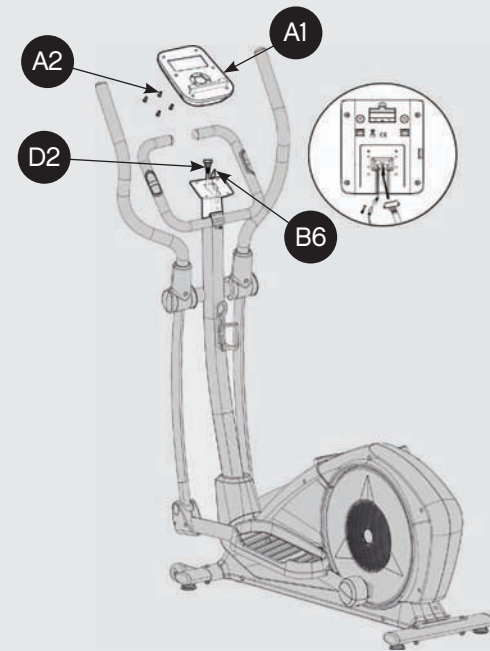
6

- P2** Nut x4
- P3** Screw x4
- P4** Semi Washer x4
- Box Spanner x1



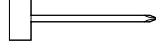
8

- Box Spanner x1

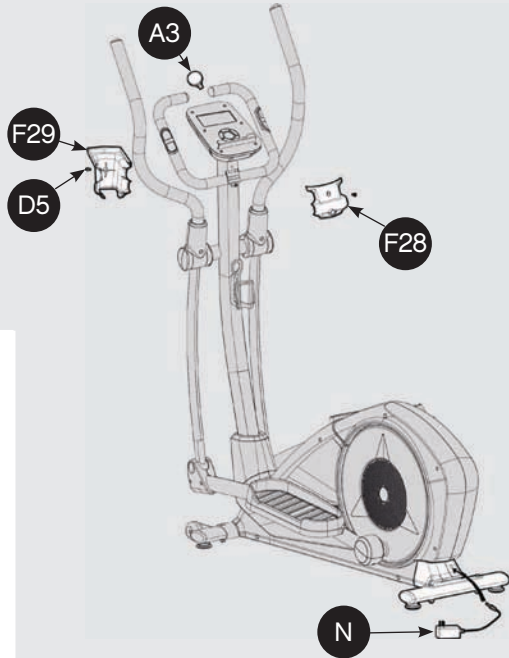


9

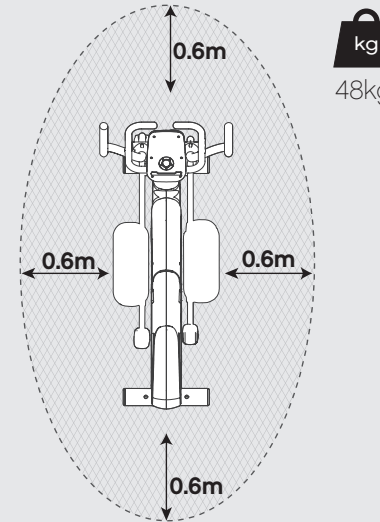
Box Spanner x1



This product is suitable for user's weight of 120kg



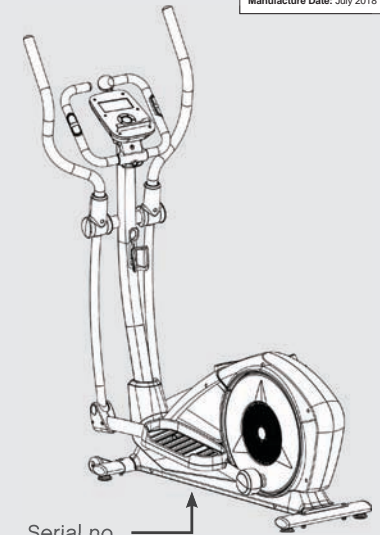
Allow for a minimum space of 0.6m around the elliptical when in operation.



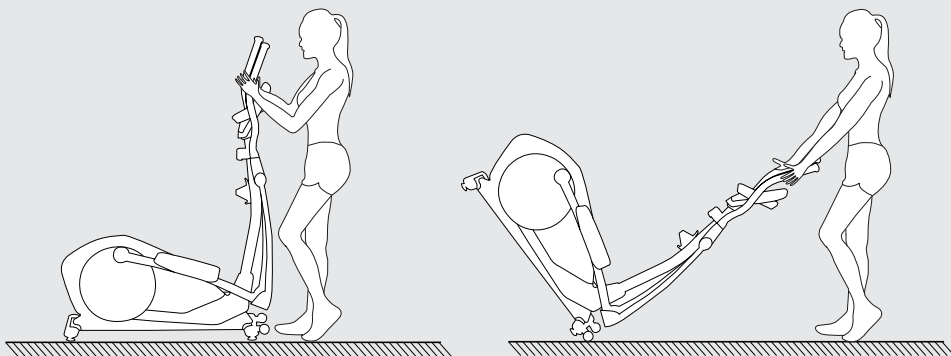
145cm (L) x 59cm (W) x 171cm (H)

Serial no. is located on the base of the elliptical.

Example:
Serial No.: RVAR-10611SL0718000001
Manufacture Date: July 2018



Moving the elliptical



Product Registration and Support
Enregistrement et support du produit
Productregistratie en ondersteuning
Registro de productos y soporte
Registro de produto e suporte
Регистрация и поддержка продукта
製品の登録とサポート

معلومات و دعم المنتج لى جاست

产品注册和技术支持
제품 등록 및 지원



www.reebokfitness.info/product-support



Find out more at:
reebokfitness.com/reebok-app
Search 'Reebok Fitness Equipment'



WEEE logo this symbol on a product means that the product is covered by European Directive 2012/19/EU.

The Bluetooth® word mark and logos are registered trademarks owned by Bluetooth SIG, Inc. and any use of such marks by RFE International is under license.

Hereby, RFE international declares that this product is in compliance with the essential requirements and other relevant provisions of Directive 2014/53/EU.



SPARE PARTS LIST



| ITEM | DESCRIPTION | QTY. |
|------|--|-------|
| A1 | Console | 1 SET |
| A2 | Screw | 4 PCS |
| A3 | Bluetooth Dongle | 1 PCS |
| B | Front Handlebar Set | 1 SET |
| B1 | Front Handlebar | 1 PCS |
| B2 | Foam Grip | 2 PCS |
| B3 | Handlebar | 2 PCS |
| B4 | Hand Pulse Sensor | 2 PCS |
| B5 | Screw | 2 PCS |
| B6 | Heart Rate Wire | 1 PCS |
| B7 | Semi Washer | 2 PCS |
| C | Upper Handlebar Set | 1 SET |
| C1 | Upper Handlebar Left | 1 PCS |
| C2 | Handlebar End Cap | 2 PCS |
| C3 | Foam Grip | 2 PCS |
| C4 | Upper Handlebar Right | 1 PCS |
| D | Handlebar Post Set | 1 SET |
| D1 | Handlebar | 1 PCS |
| D2 | Cable | 1 PCS |
| D3 | Screw | 2 PCS |
| D4 | Sleeve | 2 PCS |
| D5 | Screw | 4 PCS |
| D6 | Upper Tension Controller | 1 PCS |
| E | Lower Handlebar Set | 2 SET |
| E1 | Lower Handlebar | 2 SET |
| E2 | Sleeve | 4 PCS |
| E3 | Fixed Axle Lower Handlebar | 2 PCS |
| E4 | Sleeve of Axle | 4 PCS |
| E5 | Screw | 4 PCS |
| F1 | Main Frame Set | 1 SET |
| F2 | C Ring | 1 PCS |
| F3 | Wave Washer | 1 PCS |
| F4 | Flat Washer | 1 PCS |
| F5 | Wire | 1 PCS |
| F6 | Sensor Bracket | 1 PCS |
| F7 | DC Wire | 1 PCS |
| F8 | Screw | 1 PCS |
| F9 | Bearing | 2 PCS |
| F10 | Nut | 2 PCS |
| F11 | Pulley | 1 PCS |
| F12 | Screw | 4 PCS |
| F13 | Screw | 6 PCS |
| F14 | Left Cover | 1 PCS |
| F15 | Right Cover | 1 PCS |
| F16 | Cap of Handlebar Post | 1 PCS |
| F17 | Footplate Tube Cover (Left) | 2 PCS |
| F18 | Footplate Tube Cover (Right) | 2 PCS |
| F19 | Left Pedal | 1 PCS |
| F20 | Right Pedal | 1 PCS |
| F21 | Fixed Shaft of Handlebar | 1 PCS |
| F22 | Wire of Servo Motor | 1 PCS |
| F23 | Screw | 4 PCS |
| F24 | Flat Washer | 2 PCS |
| F25 | Semi Washer | 2 PCS |
| F26 | Front Cap Upper Handlebar | 2 PCS |
| F27 | Rear Cap Upper Handlebar | 2 PCS |
| F28 | Front Cover Upper Handlebar | 1 PCS |
| F29 | Rear Cover Upper Handlebar | 1 PCS |
| F30 | Water Bottle Holder | 1 PCS |
| F31 | Footplate Tube Rear Cover, Upper Left | 1 PCS |
| F32 | Footplate Tube Rear Cover, Upper Right | 1 PCS |
| F33 | Footplate Tube Rear Cover, Lower Left | 1 PCS |
| F34 | Footplate Tube Rear Cover, Lower Right | 1 PCS |
| G | Flywheel Set | 1 SET |
| G1 | Flywheel Axle | 1 PCS |
| G2 | Nut | 5 PCS |
| G3 | Flywheel Axle | 1 PCS |
| G4 | Flat Washer | 1 PCS |
| G5 | Bearing | 1 PCS |
| G6 | Bearing | 1 PCS |
| G7 | Bushing | 1 PCS |
| G8 | Star Washer | 2 PCS |
| H | Magnet Set | 1 SET |
| H1 | Screw | 2 PCS |
| H2 | Flat Washer | 2 PCS |
| H3 | Spring Washer | 2 PCS |
| H4 | Spring | 1 PCS |
| I | Pedal Tube Set | 1 SET |
| I1 | Left Pedal Tube | 1 PCS |
| I2 | Screw | 4 PCS |
| I3 | Right Pedal Tube | 1 PCS |
| J | Front Stabilizer Set | 1 SET |
| J1 | Front Stabilizer | 1 PCS |
| J2 | Nap | 2 PCS |
| J3 | Roller | 2 PCS |
| J4 | Nut | 2 PCS |
| J5 | End Cap | 2 PCS |
| J6 | Bushing | 2 PCS |
| J7 | C Ring | 2 PCS |
| K | Rear Stabilizer Set | 1 SET |
| K1 | Rear Stabilizer | 1 PCS |
| K2 | End Cap | 2 PCS |
| K3 | Nap | 2 PCS |
| L | Idler Set | 1 SET |
| L1 | Idler | 1 PCS |
| L2 | Screw | 1 PCS |
| L3 | Flat Washer | 1 PCS |
| L4 | Jockey Wheel | 1 PCS |
| L5 | Flat Washer | 1 PCS |
| L6 | Screw | 1 PCS |
| L7 | Nut | 1 PCS |
| L8 | Spring | 1 PCS |
| L9 | Spring Bracket | 1 PCS |
| L10 | Wave Washer | 2 PCS |
| L11 | Screw | 1 PCS |
| M | Servo Motor Set | 1 SET |
| N | Adapter | 1 PCS |
| P | Hardware Kit | 1 SET |
| P1 | Screw | 4 PCS |
| P2 | Nut | 8 PCS |
| P3 | Screw | 4 PCS |
| P4 | Semi Washer | 4 PCS |
| P5 | Flat Washer | 2 PCS |
| P6 | Nylon | 2 PCS |
| P7 | Flat Washer | 2 PCS |
| P8 | Knob of Pedal | 4 PCS |
| P9 | Screw | 4 PCS |
| P10 | Spring Washer | 4 PCS |
| P11 | Bushing | 4 PCS |
| P12 | Screw | 1 PCS |
| P13 | Flat Washer | 1 PCS |
| P14 | Spring Washer | 1 PCS |
| P15 | Screw | 8 PCS |
| P16 | Screw | 4 PCS |
| P17 | Flat Washer | 4 PCS |
| P18 | Flat Washer | 4 PCS |
| P19 | Bushing Wrench | 2 PCS |
| P20 | Six Wrench | 2 PCS |
| Q | Axle Set | 1 SET |
| Q1 | Axle | 1 PCS |
| Q2 | Bushing | 1 PCS |
| Q3 | Screw | 3 PCS |
| Q4 | Pulley | 1 PCS |
| R | Disc Set | 1 SET |
| R1 | End Cap of Disc | 2 PCS |
| R2 | Cross-brace | 2 PCS |
| R3 | Disc | 2 PCS |
| R4 | Screw | 8 PCS |
| R5 | Flat Washer | 8 PCS |
| S | Pedal Bracket Set | 2 SET |
| S1 | Pedal Bracket | 2 PCS |
| S2 | Bearing | 4 PCS |
| S3 | Flat Washer | 2 PCS |
| S4 | Rubber Washer | 4 PCS |
| S5 | Nut | 2 PCS |
| S6 | Wave Washer | 2 PCS |
| S7 | Flat Washer | 4 PCS |
| S8 | C Ring | 2 PCS |

| ITEM | DESCRIPTION | QTY. |
|------|--|-------|
| F26 | Front Cap Upper Handlebar | 2 PCS |
| F27 | Rear Cap Upper Handlebar | 2 PCS |
| F28 | Front Cover Upper Handlebar | 1 PCS |
| F29 | Rear Cover Upper Handlebar | 1 PCS |
| F30 | Water Bottle Holder | 1 PCS |
| F31 | Footplate Tube Rear Cover, Upper Left | 1 PCS |
| F32 | Footplate Tube Rear Cover, Upper Right | 1 PCS |
| F33 | Footplate Tube Rear Cover, Lower Left | 1 PCS |
| F34 | Footplate Tube Rear Cover, Lower Right | 1 PCS |
| G | Flywheel Set | 1 SET |
| G1 | Flywheel Axle | 1 PCS |
| G2 | Nut | 5 PCS |
| G3 | Flywheel Axle | 1 PCS |
| G4 | Flat Washer | 1 PCS |
| G5 | Bearing | 1 PCS |
| G6 | Bearing | 1 PCS |
| G7 | Bushing | 1 PCS |
| G8 | Star Washer | 2 PCS |
| H | Magnet Set | 1 SET |
| H1 | Screw | 2 PCS |
| H2 | Flat Washer | 2 PCS |
| H3 | Spring Washer | 2 PCS |
| H4 | Spring | 1 PCS |
| I | Pedal Tube Set | 1 SET |
| I1 | Left Pedal Tube | 1 PCS |
| I2 | Screw | 4 PCS |
| I3 | Right Pedal Tube | 1 PCS |
| J | Front Stabilizer Set | 1 SET |
| J1 | Front Stabilizer | 1 PCS |
| J2 | Nap | 2 PCS |
| J3 | Roller | 2 PCS |
| J4 | Nut | 2 PCS |
| J5 | End Cap | 2 PCS |
| J6 | Bushing | 2 PCS |
| J7 | C Ring | 2 PCS |
| K | Rear Stabilizer Set | 1 SET |
| K1 | Rear Stabilizer | 1 PCS |
| K2 | End Cap | 2 PCS |
| K3 | Nap | 2 PCS |
| L | Idler Set | 1 SET |
| L1 | Idler | 1 PCS |
| L2 | Screw | 1 PCS |
| L3 | Flat Washer | 1 PCS |
| L4 | Jockey Wheel | 1 PCS |
| L5 | Flat Washer | 1 PCS |
| L6 | Screw | 1 PCS |
| L7 | Nut | 1 PCS |
| L8 | Spring | 1 PCS |

| ITEM | DESCRIPTION | QTY. |
|------|-------------------|-------|
| L9 | Spring Bracket | 1 PCS |
| L10 | Wave Washer | 2 PCS |
| L11 | Screw | 1 PCS |
| M | Servo Motor Set | 1 SET |
| N | Adapter | 1 PCS |
| P | Hardware Kit | 1 SET |
| P1 | Screw | 4 PCS |
| P2 | Nut | 8 PCS |
| P3 | Screw | 4 PCS |
| P4 | Semi Washer | 4 PCS |
| P5 | Flat Washer | 2 PCS |
| P6 | Nylon | 2 PCS |
| P7 | Flat Washer | 2 PCS |
| P8 | Knob of Pedal | 4 PCS |
| P9 | Screw | 4 PCS |
| P10 | Spring Washer | 4 PCS |
| P11 | Bushing | 4 PCS |
| P12 | Screw | 1 PCS |
| P13 | Flat Washer | 1 PCS |
| P14 | Spring Washer | 1 PCS |
| P15 | Screw | 8 PCS |
| P16 | Screw | 4 PCS |
| P17 | Flat Washer | 4 PCS |
| P18 | Flat Washer | 4 PCS |
| P19 | Bushing Wrench | 2 PCS |
| P20 | Six Wrench | 2 PCS |
| Q | Axle Set | 1 SET |
| Q1 | Axle | 1 PCS |
| Q2 | Bushing | 1 PCS |
| Q3 | Screw | 3 PCS |
| Q4 | Pulley | 1 PCS |
| R | Disc Set | 1 SET |
| R1 | End Cap of Disc | 2 PCS |
| R2 | Cross-brace | 2 PCS |
| R3 | Disc | 2 PCS |
| R4 | Screw | 8 PCS |
| R5 | Flat Washer | 8 PCS |
| S | Pedal Bracket Set | 2 SET |
| S1 | Pedal Bracket | 2 PCS |
| S2 | Bearing | 4 PCS |
| S3 | Flat Washer | 2 PCS |
| S4 | Rubber Washer | 4 PCS |
| S5 | Nut | 2 PCS |
| S6 | Wave Washer | 2 PCS |
| S7 | Flat Washer | 4 PCS |
| S8 | C Ring | 2 PCS |

CONNECT YOUR SMARTPHONE TO YOUR NEW REEBOK EQUIPMENT

DOWNLOAD:

Search 'Reebok Fitness Equipment' on the App Store or Google Play.



CONNECT:

Your Reebok machine connects to the app via the bluetooth dongle, so you don't need GPS or internet to use it.

The USB connector is colour coded blue to match the correct USB port on your machine.

Once you have selected a workout or planned your route, the app will ask you to choose the machine you would like to connect with.



PLAN YOUR ROUTE

Choose 'MAP MY ROUTE' from the 'GET STARTED' tab.

01. PRESET ROUTES:

There are 5 preset routes, that you can select from by clicking the preset icon.

02. CUSTOMISE YOUR ROUTE:

First, Search for a location where you would like to plan your route.

Create your route by pressing on the map to choose your starting point, finish point, and up to 8 way points.



START YOUR ROUTE



Once you have chosen your route, slide the GO button left and then connect with your Reebok machine.

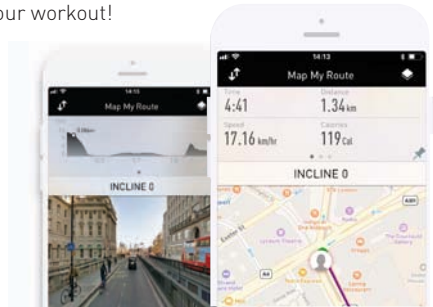
Once you have connected successfully, press start on your cardio equipment to begin your workout!

MONITOR WORKOUT DATA

To change the data view, swipe to scroll between workout data, elevation and HR/pace.



To remove the data view from the screen, press the data view button.



TRACK YOUR WORKOUT

The Reebok Fitness app allows you to track your progress via Google Maps.



You can switch the view between map, satellite, flyover and street view.

The treadmill's elevation level will automatically adjust to match your programmed route, or if you are using a bike or cross trainer, the resistance level will automatically adjust accordingly.

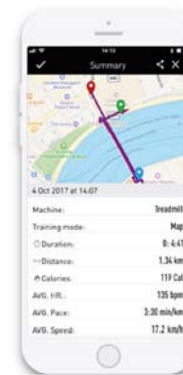


ANALYSE YOUR TRAINING

At the end of your training session, the app shows you a workout profile, giving you stats such as distance covered, calories burned and average pace.

You can add personalised notes to your workout profile such as how challenging or hard you found the workout.

The training history page allows you to review your previous workouts and stats such as total number of calories burned.



More languages available at: reebokfitness.com/reebok-app



BUTTON FUNCTIONS

- A ENTER**
Used to confirm a setting or selection.
- B RECOVERY**
To test heart rate recovery.
- C DOWN**
To select training mode and adjust function value down.
- D RESET**
Used to reset the functions at any time. Please note **STOP** must be pressed before **RESET**.
- E UP**
To select training mode and adjust function value up.
- F START/STOP**
To start or stop exercise.



OPERATION PROCEDURE

When the power supply is connected to the machine the computer will power on with a long beep sound. All segments of the LCD display will light up for 2 seconds and the wheel diameter 78" will be displayed as below.



The main menu will be displayed. The user can press **START** to begin immediately in the manual mode. All Values (**SPEED**, **DISTANCE**, **TIME**) will count up from zero. Resistance level can be changed at any time during exercise by pressing **UP** or **DOWN**.



Before beginning the manual exercise the user can set the desired workout for **TIME**, **DISTANCE**, **CALORIES** and **PULSE**.

From main menu press **UP/DOWN** buttons to highlight **MANUAL** at the top of the screen. Press **ENTER** to

select **M**, then highlight value (Speed, Distance, Time, Pulse), use **UP/DOWN** to alter the data, and then press **ENTER** to confirm the setting. Press **START** to begin when details have been inputted. The inputted data will now count down from the entered information.

i When setting the **WATT** level the resistance will automatically adjust to the preset **WATTS** regardless of the speed (except for very slow speed and higher **WATTS** settings where the resistance can only increase to 32).



PROGRAM

1. In main menu press **UP/DOWN** to highlight the program function.
2. Press **ENTER** P1 will be displayed (After 2 seconds the program profile will be shown).
3. Use **UP/DOWN** to select program P1-P12.
4. Press **ENTER** to enter the program.
5. Use **UP/DOWN** to change the program level.
6. Press **START** to begin.



H.R.C (HEART RATE CONTROL)

1. In main menu press **UP/DOWN** to highlight **TARGET H.R.**
2. Press **ENTER** to select.
3. Age will be displayed, press **UP/DOWN** to change.
4. Press **ENTER** to move to next section.



5. The % of heart rate workout will be displayed. Press **UP/DOWN** between 55%, 75%, 90% and **THR**.

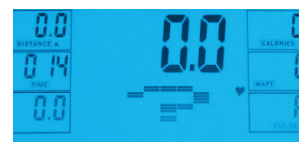
i **THR** is the users preferred **TARGET HEART RATE** to work out to. This can be altered before the exercise is started.

Maximum users heart rate is worked out at $220 - \text{age} = \text{total TARGET HEART RATE}$. This is the maximum your heart rate (MHR) should be. You can then work out at 55%, 75% or 90% of this. For example $220 - 25(\text{users age}) = 195 \text{ MHR}$, from here you can work out at the desired %.

6. Press **ENTER** to confirm.



7. Computer will record the **TARGET HEART RATE** and allow the user to work out within this. The resistance level will automatically be changed.
8. If the heart rate is too high the computer will beep to indicate this.
9. If no heart rate is being recorded the below will be displayed on the screen. In this instance ensure that both hands are securely holding the pulse sensors.



USER PROGRAM

User can create own profile.

1. In main menu press **UP/DOWN** to select **USER**.
2. Program profile will be displayed as below.
3. Press **UP/DOWN** to alter resistance level in the first segment of the profile.
4. Press **ENTER** to move to the next segment.
5. Continue the above for all columns.
6. Press **START** to begin exercise once complete.



RECOVERY

At any time during workout **RECOVERY** button can be pressed to record recovery level.

- Press **RECOVERY** button.
- Place both hands on the pulse sensors.
- Computer will count down from 60 seconds and display the **PULSE** as below. **DO NOT REMOVE YOUR HAND FROM PULSE SENSORS OR THE READING WILL NOT BE GIVEN.**



- After the computer has counted down for 60 seconds a **RECOVERY** level reading will be given.



RECOVERY

- F1 Excellent
- F2 Very Good
- F3 Good
- F4 Satisfactory
- F5 Below Average
- F6 Poor

NOTE

- This computer is powered by a 9V power adaptor. **DO NOT USE ANY OTHER ADAPTOR WITH THE MACHINE.**
- If the computer is inactive for approximately 4 minutes it will shut down automatically and the resistance motor will reset. Press any button to turn the computer back on.
- If at any time the computer does not function correctly remove the power supply and reconnect it to restart.



FONCTION DES TOUCHES

- A ENTER**
- B RÉCUPÉRATION**
Pour mesurer le taux de récupération cardiaque.
- C BAS**
Pour sélectionner le mode d'entraînement et procéder à des ajustements décroissants lors du réglage des fonctions.
- D RÉINITIALISATION**
Use Permet de réinitialiser les fonctions à tout moment. Note : il faut appuyer sur ARRÊT avant d'appuyer sur REINITIALISATION.
- E HAUT**
Pour sélectionner le mode d'entraînement et procéder à des ajustements croissants lors du réglage des fonctions.
- F DÉMARRAGE/ARRÊT**
Pour commencer ou arrêter la séance d'entraînement.



PROCÉDURE DE FONCTIONNEMENT

Lorsque le bloc d'alimentation est branché à l'appareil, l'ordinateur se met sous tension en émettant un long signal sonore. Tous les segments de l'écran LCD s'allument pendant 2 secondes et le diamètre de roue 78" s'affiche comme indiqué ci-dessous.



Le menu principal s'affiché à l'écran. L'utilisateur peut appuyer sur DÉMARRAGE pour commencer immédiatement en mode manuel. Les calculs de toutes les valeurs (VITESSE, DISTANCE, DURÉE) commenceront à zéro. Le niveau de résistance peut être modifié à tout moment durant la séance d'entraînement en appuyant sur HAUT ou BAS.



Avant de commencer l'entraînement en mode manuel, l'utilisateur peut régler les valeurs de DURÉE, DISTANCE, CALORIES et RYTHME CARDIAQUE souhaitées. À partir du menu principal, appuyer sur les touches HAUT/BAS pour afficher MANUEL en haut de l'écran. Appuyez sur ENTER (ENTRÉE) pour sélectionner M, puis mettez la valeur en surbrillance (vitesse, distance, durée, pouls). Utilisez les touches UP/DOWN (HAUT/BAS) pour modifier

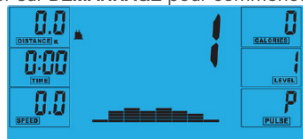
les données puis appuyez sur ENTER (ENTRÉE) pour confirmer ces paramètres. Une fois les données saisies, appuyez sur START (DÉMARRAGE) pour commencer. Le compte à rebours partira des données saisies.

i Lors du réglage du niveau WATT, la résistance est automatiquement ajustée en fonction du niveau WATT pré-réglé, quelle que soit la vitesse (sauf pour les très faibles vitesses et les niveaux WATT plus élevés où la résistance ne peut augmenter que jusqu'à 32).



PROGRAMME

1. Dans le menu principal, appuyer sur HAUT/BAS pour mettre en évidence la fonction Programme.
2. Appuyer sur ENTER, P1 s'affiche (après 2 secondes, le profil du programme apparaît).
3. Appuyer sur HAUT/BAS pour sélectionner les programmes P1 à P12.
4. Appuyer sur ENTER pour valider le programme choisi.
5. Appuyer sur HAUT/BAS pour modifier le niveau du programme.
6. Appuyer sur DÉMARRAGE pour commencer.



CONTRÔLE DU RYTHME CARDIAQUE

1. Dans le menu principal, appuyer sur HAUT/BAS pour mettre en évidence « TARGET H.R » (OBJECTIF RYTHME CARDIAQUE)
2. Appuyer sur ENTER pour sélectionner
3. L'âge est affiché, appuyer sur HAUT/BAS pour le modifier.
4. Appuyer sur ENTER pour passer à la section suivante



5. Le % d'entraînement du rythme cardiaque s'affiche. Appuyer sur HAUT/BAS pour choisir entre 55%, 75%, 90% et THR.

i THR signifie « TARGET HEART RATE » (OBJECTIF DE RYTHME CARDIAQUE). Il s'agit de l'objectif que se fixe l'utilisateur pour s'entraîner. Cette valeur peut être modifiée avant le début de l'entraînement.

Le rythme cardiaque maximal (RCM) est calculé ainsi : 220 - âge = OBJECTIF DE RYTHME CARDIAQUE total. Il s'agit du niveau maximal que votre rythme cardiaque ne doit pas dépasser. Vous pouvez ensuite vous entraîner en choisissant un pourcentage de ce rythme cardiaque maximal (55, 75 ou 90 %). Par exemple : 220 - 25 (âge de l'utilisateur) = 195 RCM, niveau à partir duquel vous pouvez vous entraîner au pourcentage souhaité.

6. Appuyer sur ENTER pour confirmer.



7. L'ordinateur enregistrera l'OBJECTIF DE RYTHME CARDIAQUE pour permettre à l'utilisateur de s'entraîner dans cette limite. Le niveau de résistance sera automatiquement modifié.
8. Si le rythme cardiaque est trop élevé, l'ordinateur émettra un signal sonore pour le signaler.
9. Si aucun rythme cardiaque n'est enregistré, l'écran ci-dessous s'affichera. Dans ce cas veillez à placer soigneusement les deux mains sur les capteurs cardiaques.



PROGRAMME UTILISATEUR

- L'utilisateur peut créer son propre profil d'entraînement:
1. Dans le menu principal, appuyer sur HAUT/BAS pour sélectionner UTILISATEUR.
 2. Le profil du programme sera affiché comme ci-dessous.
 3. Appuyer sur HAUT/BAS pour modifier le niveau de résistance dans le premier segment du profil.
 4. Appuyer sur ENTER pour passer au segment suivant.
 5. Poursuivre la même procédure pour chaque colonne.
 6. Appuyer sur DÉMARRAGE pour commencer l'entraînement une fois les réglages terminés.



RÉCUPÉRATION

À tout moment durant la séance d'entraînement, l'utilisateur peut appuyer sur la touche RÉCUPÉRATION pour enregistrer son taux de récupération.

- Appuyer sur la touche RÉCUPÉRATION.
- Placer les deux mains sur les capteurs cardiaques.
- L'ordinateur lancera un compte à rebours de 60 secondes et affichera le rythme cardiaque comme ci-dessous.
- **NE PAS ÔTER LES MAINS DES CAPTEURS, SINON LA MESURE NE SERA PAS FOURNIE.**



- Une fois le compte à rebours de 60 secondes terminé. Le taux de RÉCUPÉRATION est affiché.



CLASSEMENT DES TAUX DE RÉCUPÉRATION

- F1 Excellent F2 Très bon F3 Bon F4 Satisfaisant
- F5 Inférieur à la moyenne F6 Mauvais

NOTE

- Cet ordinateur est alimenté par un adaptateur 9V. **NE PAS UTILISER D'AUTRES ADAPTATEURS SUR CET APPAREIL.**
- Si l'ordinateur est inactif pendant environ 4 minutes, il s'éteint automatiquement et le moteur de résistance se réinitialise. Appuyer sur n'importe quelle touche pour rallumer l'ordinateur.
- Si, à un moment quelconque, l'ordinateur ne fonctionne pas correctement, débrancher puis rebrancher le bloc d'alimentation pour redémarrer.



FUNZIONE DEI PULSANTI

- A ENTER**
- B RECUPERO**
Serve a testare il recupero della frequenza cardiaca.
- C DIMINUIZIONE**
Serve a selezionare la modalità di allenamento e a regolare in basso il valore della funzione.
- D RESET**
Usato per azzerare le funzioni in qualsiasi momento. Si noti che STOP deve essere premuto prima di RESET.
- E AUMENTO**
Serve a selezionare la modalità di allenamento e a regolare in alto il valore della funzione.
- F AVVIO/ARRESTO**
Serve per avviare o arrestare un esercizio.



PROCEDURA DI FUNZIONAMENTO

Quando la macchina viene collegata alla rete di alimentazione, il computer si accende ed emette un lungo beep. Tutti i segmenti del display LCD si accendono per 2 secondi e si visualizza il diametro di 78 pollici della ruota come appare qui sotto.



Verrà visualizzato il menu principale. L'utente può premere il pulsante START per cominciare immediatamente in modalità manuale. Tutti i valori (VELOCITÀ, DISTANZA, TEMPO) cominceranno ad essere conteggiati a partire da zero. Il livello di resistenza può essere cambiato in qualsiasi momento nel corso dell'esercizio premendo i tasti AUMENTO o DIMINUIZIONE.



Prima di iniziare l'esercizio manuale, l'utente può impostare il TEMPO, la DISTANZA, le CALORIE e la PULSAZIONE richiesti per la seduta di allenamento. Dal menu principale premere i pulsanti AUMENTO/ DIMINUIZIONE per evidenziare MANUAL nella parte superiore dello schermo. Premere ENTER per selezionare M, quindi evidenziare il valore (Velocità,

Distanza, Tempo, Impulso), utilizzare UP/DOWN per modificare i dati e quindi premere ENTER per confermare l'impostazione. Premere START per iniziare quando i dati sono stati inseriti.

Quando si seleziona il livello WATT, la resistenza verrà regolata automaticamente ai WATT preselezionati indipendentemente dalla velocità (salvo nel caso di velocità molto basse e di impostazioni WATT più elevate, nel qual caso la resistenza può solamente salire al livello 32).



PROGRAMMA

1. Nel menu principale premere AUMENTO/ DIMINUIZIONE per evidenziare la funzione del programma.
2. Premere ENTER, verrà visualizzato P1 (dopo 2 secondi verrà mostrato il profilo del programma.)
3. Usare AUMENTO/DIMINUIZIONE per selezionare il programma da P1 a P12.
4. Premere ENTER per immettere il programma.
5. Usare AUMENTO/DIMINUIZIONE per modificare il livello del programma.
6. Premere AVVIO per cominciare



CONTROLLO DELLA FREQUENZA CARDIACA

1. Nel menu principale premere AUMENTO/ DIMINUIZIONE per evidenziare TARGET H.R.
2. Premere ENTER per effettuare selezione.
3. Verrà visualizzata l'età; premere AUMENTO/ DIMINUIZIONE per cambiarla.
4. Premere ENTER per passare alla sezione successiva.

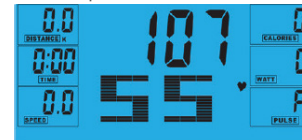


5. Verrà visualizzata la % di frequenza cardiaca per la seduta di allenamento. Premere AUMENTO/ DIMINUIZIONE per cambiare tra 55%, 75%, 90% e THR.

THR rappresenta la FREQUENZA CARDIACA OBIETTIVO con la quale l'utente preferisce allenarsi. Questo valore può essere modificato prima di cominciare l'esercizio.

La frequenza cardiaca massima dell'utente nel corso dell'esercizio è pari a $220 - \text{l'età} = \text{FREQUENZA CARDIACA OBIETTIVO totale}$. Questo valore rappresenta la frequenza cardiaca massima (MHR). Quindi è possibile allenarsi a una percentuale pari al 55%, 75% o 90% di questo valore massimo. Ad esempio: $220 - 25 \text{ anni (l'età dell'utente)} = 195 \text{ MHR}$, e partendo da questo valore è possibile allenarsi alla percentuale desiderata.

6. Premere ENTER per dare conferma.



7. Il computer registrerà la FREQUENZA CARDIACA OBIETTIVO e consentirà all'utente di allenarsi entro questo valore. Il livello di resistenza applicato verrà cambiato automaticamente.
8. Se la frequenza cardiaca verrà ritenuta troppo elevata, il computer emetterà un beep per indicarlo.
9. Se non si registra alcuna frequenza cardiaca, sullo schermo apparirà la visualizzazione indicata qui sotto. In tal caso, assicurarsi di afferrare saldamente i sensori di pulsazione con entrambe le mani.



PROGRAMMA UTENTE

- L'utente può creare il proprio profilo d'allenamento:
1. Nel menu principale premere UMENTO/ DIMINUIZIONE e poi selezionare UTENTE.
 2. Il profilo del programma sarà visualizzato come

- appare qui sotto.
3. Premere UMENTO/DIMINUIZIONE per modificare il livello di resistenza nel primo segmento del profilo.
 4. Premere ENTER per passare al segmento successivo.
 5. Continuare la stessa procedura per tutte le colonne.
 6. Dopo aver completato la procedura, premere AVVIO per cominciare l'esercizio.



RECUPERO

In qualsiasi momento nel corso dell'allenamento si può premere il pulsante RECUPERO per registrare il livello di recupero.

- Premere il pulsante RECUPERO.
- Posizionare entrambe le mani sui sensori di pulsazione.
- Il computer eseguirà il conteggio alla rovescia a partire da 60 secondi e visualizzerà la pulsazione come appare qui sotto.
- **NON SPOSTARE LE MANI DAI SENSORI DI PULSAZIONE, ALTRIMENTI NON VERRÀ FORNITA ALCUNA MISURAZIONE.**



- Dopo che il computer ha eseguito il conteggio alla rovescia a partire da 60 secondi, verrà fornita una misura del livello di RECUPERO.



LIVELLI DI FITNESS ASSOCIATI AL RECUPERO

- F1 Eccellente F2 Ottimo F3 Buono
- F4 Soddisfacente F5 Al di sotto della media
- F6 Scarso

NOTE

- Questo computer è alimentato con un adattatore a 9V. **CON QUESTA MACCHINA NON USARE NESSUN ALTRO ADATTATORE.**
- Se resta inattivo per circa 4 minuti, il computer si spegne automaticamente e la resistenza applicata si azzerà. Per riaccendere il computer, premere un tasto qualsiasi.
- Se in qualsiasi momento il computer non funziona correttamente, per riavviarlo disinserire e poi inserire di nuovo l'alimentazione.



TASTENFUNKTIONEN

- A ENTER**
- B ERHOLUNG**
Nutzen Sie diese Taste, um die Pulserholung zu messen.
- C ABWÄRTS**
Mit dieser Taste können Sie den Trainings-Modus auswählen und die Werte der Funktionen verringern.
- D ZURÜCKSETZEN**
Mithilfe dieser Taste können Sie die Funktionen jederzeit zurücksetzen. Beachten Sie, dass die STOPP-Taste vor der ZURÜCKSETZEN-Taste gedrückt werden muss.
- E AUFWÄRTS**
Mit dieser Taste können Sie den Trainings-Modus auswählen und die Werte der Funktionen erhöhen.
- F START/STOPP**
Mit dieser Taste können Sie das Training starten oder beenden.



BETRIEB

Wenn das Gerät mit dem Stromanschluss verbunden ist, wird der Computer mit einem langen akustischen Signal eingeschaltet. Alle Segmente des LCD-Monitors leuchten für 2 Sekunden auf und ein Raddurchmesser von 78" wird wie unten abgebildet angezeigt.



Das Hauptmenü wird eingeblendet. Sie können die START-Taste drücken, um sofort in den manuellen Modus zu gelangen. Alle Werte (GESCHWINDIGKEIT, ENTFERNUNG, ZEIT) werden von null ausgehend aufwärts gezählt. Der Widerstand kann während des Trainings jederzeit mithilfe der AUFWÄRTS- und ABWÄRTS-Tasten geändert werden.



Avor dem Beginn des manuellen Trainingsprogramms können Sie die gewünschten Werte für ZEIT, ENTFERNUNG, KALORIEN und PULS eingeben. Ä Drücken Sie im Hauptmenü auf die AUFWÄRTS-/ABWÄRTS-Tasten, um die MANUELL-Option oben im Bildschirm zu markieren. Drücken Sie ENTER und wählen Sie M aus, markieren Sie dann den Wert (Geschwindigkeit, Distanz, Zeit, Puls) und drücken UP (HOCH)/DOWN (RUNTER), um die Daten anzupassen, und drücken dann erneut ENTER, um Ihre Eingaben zu

bestätigen. Geben Sie die Details ein und drücken Sie im Anschluss START, um zu beginnen.

Wenn Sie die WATT-Stärke einstellen, wird der Widerstand ungeachtet der Geschwindigkeit an die voreingestellte WATTZAHL angepasst (außer bei sehr langsamen Geschwindigkeiten und höheren WATT-Einstellungen, bei denen der Widerstand nur auf 32 erhöht werden kann).



PROGRAMM

1. Drücken Sie im Hauptmenü die AUFWÄRTS-/ABWÄRTS-Taste, um die gewünschte Programmfunktion zu markieren.
2. Drücken Sie die ENTER-Taste. P1 wird angezeigt (nach 2 Sekunden wird das Programmprofil eingeblendet).
3. Verwenden Sie die AUFWÄRTS-/ABWÄRTS-Taste, um Programm P1 – P12 auszuwählen.
4. Drücken Sie die ENTER-Taste, um das Programm zu öffnen.
5. Verwenden Sie die AUFWÄRTS-/ABWÄRTS-Taste, um die Programmstufe zu ändern.
6. Drücken Sie die START-Taste, um zu beginnen.



H.R.C. (PULSMESSUNG)

1. Drücken Sie im Hauptmenü die AUFWÄRTS-/ABWÄRTS-Taste, um TARGET H.R. (PULSWERT) zu markieren.
2. Drücken Sie zur Auswahl die ENTER-Taste.
3. Das Alter wird angezeigt. Drücken Sie die AUFWÄRTS-/ABWÄRTS-Taste, um den Wert zu ändern.
4. Drücken Sie die ENTER-Taste, um in den nächsten Abschnitt zu gelangen.



5. Der %-Satz des Puls-Trainings wird angezeigt. Drücken Sie die AUFWÄRTS-/ABWÄRTS-Taste, um zwischen 55%, 75%, 90% und THR auszuwählen.

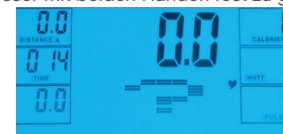
THR steht für die bevorzugte ZIEL-HERZFREQUENZ (PULS) des Benutzers für das Training. Dieser Wert kann vor dem Trainingsbeginn geändert werden.

Der maximale Puls des Benutzers wird berechnet als $220 - \text{Alter} = \text{Gesamt-ZIELPULS}$. Dies ist der höchste Puls, den Sie erreichen dürfen (MHR). Sie können daraufhin bis zu einem Prozentsatz von 55%, 75% oder 90% dieses Pulswerts trainieren. Beispiel: $220 - 25$ (Alter des Benutzers) = 195 MHR. Auf der Grundlage dieses Werts können Sie dann den gewünschten Prozentsatz auswählen.

6. Drücken Sie die ENTER-Taste, um die Auswahl zu bestätigen.



7. Der Computer misst den ZIELPULS und ermöglicht es dem Benutzer, bis zu diesem Grenzwert zu trainieren. Der Widerstand wird automatisch geändert.
8. Wenn der Puls zu hoch ist, weist der Computer durch ein akustisches Warnsignal darauf hin.
9. Wenn kein Puls gemessen wird, erscheint die nachfolgend abgebildete Anzeige auf dem Bildschirm. Achten Sie in diesem Fall darauf, die Pulsmesser mit beiden Händen fest zu greifen.



BENUTZERPROGRAMM

- Benutzer können ein eigenes Trainingsprofil erstellen:
1. Drücken Sie die AUFWÄRTS-/ABWÄRTS-Taste im Hauptmenü, um die BENUTZER-Option auszuwählen.

2. Das Programmprofil wird wie in der nachfolgenden Abbildung angezeigt.
3. Drücken Sie die AUFWÄRTS-/ABWÄRTS-Taste, um den Widerstand im ersten Abschnitt des Profils zu ändern.
4. Drücken Sie die ENTER-Taste, um in den nächsten Abschnitt zu gelangen.
5. Wiederholen Sie die vorherigen Schritte für alle Spalten.
6. Sobald die Eingabe abgeschlossen ist, drücken Sie die START-Taste, um mit dem Training zu beginnen.



ERHOLUNG

Sie können jederzeit während des Trainings die ERHOLUNGS-Taste drücken, um den Erholungsgrad zu messen.

- Drücken Sie die ERHOLUNGS-Taste.
- Legen Sie beide Hände auf die Pulsmesser.
- Der Computer zählt 60 Sekunden rückwärts und zeigt den Puls wie unten abgebildet an. ENTFERNEN SIE DIE HÄNDE NICHT VON DEN PULSMESSERN, DA SONST KEINE MESSUNG MEHR ERFOLGT.



- Nachdem der Computer von 60 auf 0 Sekunden heruntergezählt hat, wird der ERHOLUNGS-Grad angezeigt.



ERHOLUNGS-FITNESSGRADE

- F1 Hervorragend F2 Sehr gut F3 Gut
- F4 Zufriedenstellend F5 Unterdurchschnittlich
- F6 Schlecht

NOTE

- Der Computer wird durch einen 9V-Netzadapter mit Strom versorgt. VERWENDEN SIE KEINEN ANDEREN ADAPTER MIT DIESEM GERÄT.
- Wenn der Computer ca. 4 Minuten inaktiv ist, schaltet er automatisch ab und der Widerstandsmotor wird zurückgesetzt. Drücken Sie eine beliebige Taste, um den Computer wieder einzuschalten.
- Sollte der Computer zu irgendeinem Zeitpunkt nicht richtig funktionieren, trennen Sie das Gerät von der Stromzufuhr und schließen Sie es danach erneut an, um einen Neustart durchzuführen.



FUNCIONES DE LOS BOTONES

- A ENTER**
- B RECUPERACIÓN**
Para comprobar la recuperación del ritmo cardíaco.
- C ABAJO**
Para seleccionar un modo de entrenamiento y ajustar el valor de la función hacia abajo.
- D RESTAURAR**
Se utiliza para restablecer las funciones en cualquier momento. Tenga en cuenta que debe pulsarse **STOP** antes de **RESET**.
- E ARRIBA**
Para seleccionar un modo de entrenamiento y ajustar el valor de la función hacia arriba.
- F INICIAR/PARAR**
Para iniciar o detener el ejercicio.



OCEDIAMIENTO DE FUNCIONAMIENTO

Cuando la corriente eléctrica está conectada a la máquina, el ordenador se encenderá emitiendo un pitido largo. Todos los segmentos de la pantalla LCD se iluminarán durante 2 segundos y se mostrará el diámetro de la rueda de 78" como se muestra a continuación.



Se mostrará el menú principal. El usuario puede pulsar **INICIA** para empezar inmediatamente con el modo manual. Todos los valores (**SPEED**, **DISTANCE**, **TIME**) empezarán a contar desde cero. El nivel de resistencia puede cambiarse en cualquier momento durante el ejercicio pulsando **ARRIBA** o **ABAJO**.



Antes de iniciar el ejercicio manual, el usuario puede establecer el ejercicio deseado para **TIME**, **DISTANCE**, **CALORIES** y **PULSE**.

Desde el menú principal pulse los botones **ARRIBA/ABAJO** para resaltar **MANUAL** en la parte superior de la pantalla. Pulse **ENTER** para seleccionar **M**, a continuación resalte el valor (**Velocidad**, **Distancia**, **Tiempo**, **Pulso**), utilice **UP/DOWN** (subir/bajar) para

modificar los datos y a continuación pulse **ENTER** para confirmar los ajustes. Pulse **START** para comenzar una vez introducidos los datos.

Quando configure el nivel de **WATT** la resistencia se ajustará automáticamente al valor **WATTS** preestablecido sin importar la velocidad (exceptuando en velocidades muy lentas y en configuraciones de **WATTS** superiores donde la resistencia solo puede aumentar hasta 32.



PROGRAMA

1. En el menú principal pulse **ARRIBA/ABAJO** para resaltar la función del programa.
2. Pulse **ENTER**, **P1** se mostrará (una vez transcurridos 2 segundos, se mostrará el perfil de programa).
3. Utilice **ARRIBA/ABAJO** para seleccionar el programa **P1 - P12**.
4. Pulse **ENTER** para introducir el programa.
5. Utilice **ARRIBA/ABAJO** para cambiar el nivel del programa.
6. Pulse **INICIAR** para comenzar.



H.R.C. (CONTROL DE RITMO CARDÍACO)

1. En el menú principal pulse **ARRIBA/ABAJO** para resaltar **TARGET H.R.**
2. Pulse **ENTER** para seleccionar.
3. Se mostrará la edad, pulse **ARRIBA/ABAJO** para modificarla.
4. Pulse **ENTER** para pasar a la siguiente sección.



5. Se mostrará el % de ritmo cardíaco del ejercicio. Pulse **ARRIBA/ABAJO** para cambiar entre 55%, 75%, 90% y **THR**.

THR es el ejercicio de objetivo de ritmo cardíaco **TARGET HEART RATE (RITMO CARDÍACO OBJETIVO)** preferido por los usuarios. Este puede modificarse antes de iniciar el ejercicio.

El ritmo cardíaco máximo del usuario se calcula en $220 - \text{edad} = \text{total RITMO CARDÍACO OBJETIVO}$. Este valor es el que debería ser el ritmo cardíaco máximo (**MHR**) máximo. Puede ejercitarse al 55%, 75% o 90% de este. Por ejemplo: $220 - 25$ (edad del usuario) = 195 **MHR**, a partir de aquí puede ejercitarse al % deseado.

6. Pulse **ENTER** para confirmar.



7. El ordenador registrará el **RITMO CARDÍACO OBJETIVO** y permitirá al usuario ejercitarse dentro de este. El nivel de resistencia se cambiará automáticamente.
8. Si el ritmo cardíaco es demasiado elevado, el ordenador emitirá un pitido para indicarlo.
9. Si no se está registrando ningún ritmo cardíaco, se mostrará lo siguiente en pantalla. En este caso asegúrese de que ambas manos están firmemente sujetas en los sensores de pulso.



PROGRAMA DEL USUARIO

- El usuario puede crear su propio perfil de ejercicio:
1. En el menú principal pulse **ARRIBA/ABAJO** para seleccionar **USUARIO**.
 2. El perfil de programa se mostrará como sigue.
 3. Pulse **ARRIBA/ABAJO** para cambiar el nivel de resistencia en el primer segmento de perfil.
 4. Pulse **ENTER** para pasar al siguiente segmento.

5. Repita los pasos anteriores para todas las columnas.
6. Pulse **INICIAR** para comenzar el ejercicio una vez completado..



RECUPERACIÓN

En cualquier momento durante el ejercicio puede pulsar el botón **RECUPERACION** para grabar el nivel de recuperación.

- Pulse el botón **RECUPERACION**.
- Coloque ambas manos en los sensores de pulso.
- El ordenador realizará una cuenta atrás de 60 segundos y mostrará el pulso como sigue. **NO RETIRE LAS MANOS DE LOS SENSORES DE PULSO O NO SE MOSTRARÁ LA LECTURA.**



- Una vez el ordenador ha realizado la cuenta atrás de 60 segundos, se mostrará un nivel de **RECUPERACION**.



GRADOS DE RECUPERACIÓN DE FORMA FÍSICA

- F1** Excelente **F2** Muy buena **F3** Buena
- F4** Satisfactoria **F5** Por debajo de la media
- F6** Deficiente

NOTAS

- Este ordenador está alimentado por un adaptador de corriente de 9 V. **NO UTILICE NINGÚN OTRO ADAPTADOR CON LA MÁQUINA.**
- Si el ordenador está inactivo durante aproximadamente 4 minutos, se apagará automáticamente y el motor de resistencia se restablecerá. Pulse cualquier botón para volver a encender el ordenador.
- Si en cualquier momento el ordenador no funciona correctamente, retire la alimentación eléctrica y vuelva a conectarla para reiniciarlo.



FUNÇÕES DOS BOTÕES

- A ENTER**
- B RECOVERY (RECUPERAÇÃO)**
Para testar a recuperação do ritmo cardíaco.
- C DOWN (PARA BAIXO)**
Para seleccionar o modo de treino e ajustar o valor da função para baixo.
- D RESET (REPOR)**
Utilizado para repor as funções a qualquer momento. Note que o botão **STOP (PARAR)** deve ser premido antes do botão **RESET (REPOR)**.
- E UP (PARA CIMA)**
Para seleccionar o modo de treino e ajustar o valor da função para cima.
- F START (INÍCIO)/STOP (PARAR)**
Para iniciar ou parar um exercício.



PROCEDIMENTO DE FUNCIONAMENTO

Quando a fonte de alimentação é ligada à máquina, o computador é ligado com um longo sinal sonoro. Todos os segmentos do ecrã LCD acendem-se durante 2 segundos e o diâmetro da roda, 78", é apresentado como mostrado a seguir.



O menu Main (Principal) é apresentado. O utilizador pode premir o botão **START (INÍCIO)** para começar de imediato no modo manual. Todos os valores (**SPEED, DISTANCE, TIME**) (**VELOCIDADE, DISTÂNCIA, TEMPO**) serão contados a partir de zero. O nível de resistência pode ser alterado a qualquer momento durante o exercício premindo os botões **UP (PARA CIMA)** ou **DOWN (PARA BAIXO)**.



Antes de iniciar o exercício manual, o utilizador pode definir o treino pretendido para os parâmetros **TIME (TEMPO), DISTANCE (DISTÂNCIA), CALORIES (CALORIAS)** e **PULSE (PULSAÇÃO)**. A partir do menu Main (Principal), prima os botões **UP (PARA CIMA)/DOWN (PARA BAIXO)** para seleccionar **MANUAL** na parte superior do ecrã. Prima **ENTER** para seleccionar **M**, depois, realce o valor (**Speed, Distance, Time, Pulse** – **Velocidade, Distância, Tempo, Pulsação**), utilize **UP/ DOWN (PARA CIMA/PARA BAIXO)** para alterar os dados,

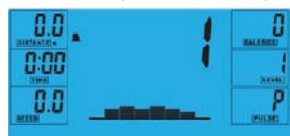
e depois prima **ENTER** para confirmar a definição. Prima **START (INÍCIO)** para iniciar, depois de as informações terem sido introduzidas.

Ao definir o nível de **WATT**, a resistência é automaticamente ajustada para o valor predefinido de **WATTS**, independentemente da velocidade (excepto para velocidades muito baixas e definições mais elevadas de **WATTS**, nas quais a resistência apenas pode aumentar para 32.



PROGRAM (PROGRAMMA)

1. No menu Main (Principal), prima os botões **UP (PARA CIMA)/DOWN (PARA BAIXO)** para seleccionar a função do programa.
2. Prima **ENTER, P1** é apresentado (2 segundos depois é apresentado o perfil do programa).
3. Utilize os botões **UP (PARA CIMA)/DOWN (PARA BAIXO)** para seleccionar Program (Programa) **P1 – P12**.
4. Prima o botão **ENTER** para introduzir o programa.
5. Utilize os botões **UP (PARA CIMA)/DOWN (PARA BAIXO)** para alterar o nível do programa.
6. Prima **START (INÍCIO)** para começar o programa.



H.R.C (HEART RATE CONTROL) (CONTROLO DO RITMO CARDÍACO)

1. No menu Main (Principal), prima os botões **UP (PARA CIMA)/DOWN (PARA BAIXO)** para seleccionar **TARGET H.R. (RITMO CARDÍACO ALVO)**.
2. Prima **ENTER** para seleccionar.
3. Age (Idade) é apresentado, prima os botões **UP (PARA CIMA)/DOWN (PARA BAIXO)** para alterar.
4. Prima **ENTER** para avançar para a próxima secção.



5. A % do ritmo cardíaco durante o treino é apresentada. Prima os botões **UP (PARA CIMA)/DOWN (PARA BAIXO)** para alternar entre 55%, 75%, 90% e **THR (RITMO CARDÍACO ALVO)**.

O **THR** é o **RITMO CARDÍACO ALVO** preferido pelos utilizadores durante o treino. Este parâmetro pode ser alterado antes de ser iniciado o exercício.

O ritmo cardíaco máximo para os utilizadores está definido como $220 - idade = total \text{ RITMO CARDÍACO ALVO}$. Este é o valor máximo que o seu ritmo cardíaco (**MRH**) deve apresentar. Pode então treinar a 55%, 75% ou 90% deste valor. Por exemplo: $220 - 25 (idade \text{ do utilizador}) = 195 \text{ MHR}$, a partir deste valor pode treinar à % pretendida.

6. Prima **ENTER** para confirmar.



7. O computador regista o **TARGET HEART RATE (RITMO CARDÍACO ALVO)** e permite ao utilizador treinar dentro deste parâmetro. O nível de resistência é automaticamente alterado.
8. Se o ritmo cardíaco é demasiado elevado, o computador emite um sinal sonoro de alerta.
9. Se não estiver a ser registado o ritmo cardíaco, é apresentado o seguinte no ecrã. Neste caso, certifique-se de que as duas mãos estejam a segurar firmemente nos sensores de pulsação.



PROGRAMA DO UTILIZADOR

O utilizador pode criar o seu próprio perfil de treino:

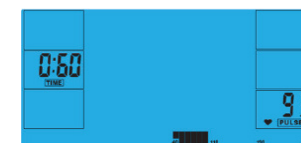
1. No menu Main (Principal), prima os botões **UP (PARA CIMA)/DOWN (PARA BAIXO)** para seleccionar **USER (UTILIZADOR)**.
2. O perfil do programa é apresentado como indicado a seguir.
3. Prima os botões **UP (PARA CIMA)/DOWN (PARA BAIXO)** para alterar o nível de resistência no primeiro segmento do perfil.
4. Prima **ENTER** para avançar para o próximo segmento.
5. Proceda da mesma forma para todas as colunas.
6. Prima **START (INÍCIO)** para começar o exercício assim que tiver concluído o procedimento.



RECOVERY (RECUPERAÇÃO)

A qualquer momento durante o treino, o botão **RECOVERY (RECUPERAÇÃO)** pode ser premido para registar o nível de recuperação.

- Prima o botão **RECOVERY (RECUPERAÇÃO)**.
- Coloque as duas mãos nos sensores de pulsação.
- O computador irá efectuar a contagem decrescente durante 60 segundos e apresentar **Pulse (Pulsação)** conforme indicado a seguir. **NÃO RETIRE AS MÃOS DOS SENSORES DE PULSAÇÃO OU NÃO PODERÁ SE OBTIDA A LEITURA.**



- Após a contagem decrescente do computador durante 60 segundos, é dada uma leitura do nível de **RECOVERY (RECUPERAÇÃO)**.



RECOVERY

- F1** Excelente **F2** Muito bom **F3** Bom
- F4** Satisfatório **F5** Inferior à média **F6** Mau

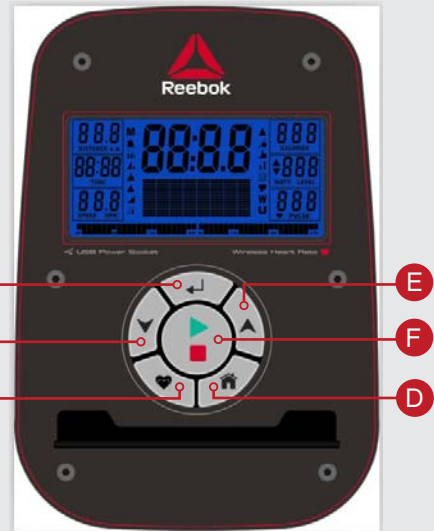
NOTAS

- Este computador é alimentado com um adaptador de corrente de 9 volts. **NÃO UTILIZE QUALQUER OUTRO ADAPTADOR COM A MÁQUINA.**
- Se o computador estiver inactivo durante cerca de 4 minutos, irá desligar-se automaticamente e o motor da resistência será reposto. Prima qualquer botão para ligar novamente o computador.
- Se, a qualquer momento, o computador deixar de funcionar correctamente, desligue a fonte de alimentação e volte a ligá-la para reiniciar o computador.



KNAPPFUNKSJON

- A ENTER**
- B BEDRING**
For å teste bedring av hjerteslagene.
- C NED**
For å velge treningsmodus og å nedjustere funksjonsverdien.
- D TILBAKESTILLING**
Brukes til å tilbakestille funksjonene når som helst. Merk: Du må trykke på **STOPP** før **RESET**.
- E OPP**
For å velge treningsmodus og å oppjustere funksjonsverdien.
- F START/STOPP**
Para iniciar ou parar um exercício.



BRUKSMÅTE

Når strømforsyningen er koblet til maskinen, vil datamaskinen slås på med en lang pipelyd. Alle deler på LCD-skjermen lyser opp i 2 sekunder, og hjul diameteren 78" vil bli vist, se nedenfor.



Hovedmenyen vil bli vist. Brukeren kan trykke på **START** for å begynne øyeblikkelig i manuell modus. Alle verdier (**HASTIGHET, DISTANSE, TID**) vil telles opp fra null. Motstands nivået kan forandres når som helst i løpet av treningen ved å trykke på **OPP** eller **NED**.



Før manuell trening begynner, kan brukeren stille inn ønsket trening for TID, DISTANSE, KALORIER og PULS. Fra hovedmenyen, trykk på **OPP/NED** knappene for å fremheve **MANUAL** øverst på skjermen. Trykk **ENTER** for å velge M, merk verdien (hastighet, avstand, tid, puls), bruk **UP/DOWN (opp/ned)** for å endre dataene og trykk **ENTER** for å bekrefte innstillingen. Trykk **START** for å begynne når detaljene er lagt inn.



Når du stiller inn **WATT**-nivået, vil motstanden justeres automatisk til forhåndsinnstilt **WATT** uansett hastighet (bortsett fra veldig lav hastighet og høyere **WATT**-innstillinger, der motstanden bare kan gå opp til 32.



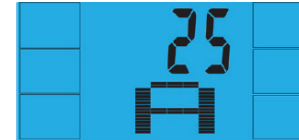
PROGRAM

- I hovedmenyen, trykk på **OPP/NED** for å fremheve programfunksjonen.
- Trykk på **ENTER**, P1 vil bli vist. (Etter 2 sekunder vil programprofilen vises.)
- Bruk **OPP/NED** for å velge program **P1** – **P12**.
- Trykk på **ENTER** for å gå inn i programmet.
- Bruk **OPP/NED** for å forandre programnivå.
- Trykk på **START** for å begynne.



H.R.C. (HEART RATE CONTROL), DVS. PULSKONTROLL

- I hovedmenyen, trykk på **OPP/NED** for å fremheve **TARGET H.R.**
- Trykk på **ENTER** for å velge.
- AGE** vil bli vist, trykk på **OPP/NED** for å forandre.
- Trykk på **ENTER** for å gå til neste del.



- Prosentdelen av hjerteslag vil bli vist. Trykk på **OPP/NED** for å skifte mellom 55 %, 75 %, 90 % og **THR**.

THR (TARGET HEART RATE) er den **MÅLPULSEN** brukeren vil regne ut. Den kan forandres før treningen starter.

Maksimal puls for brukeren utarbeides slik: $220 - \text{alder} = \text{total TARGET HEART RATE (MÅLPULS)}$. Det er den maksimale pulsen (**MHR**) du bør ha. Deretter kan du regne ut 55 %, 75 % eller 90 % av dette tallet. For eksempel: $220 - 25 (\text{brukerens alder}) = 195 \text{ MHR}$, og du kan regne ut den prosenten du vil ha derfra.

- Trykk på **ENTER** for å bekrefte.



- Datamaskinen vil registrere **TARGET HEART RATE (MÅLPULS)** og la brukeren trene innenfor denne. Motstands nivået forandres automatisk.
- Hvis pulsen er for høy, vil datamaskinen pipe for å indikere dette.
- Hvis det ikke registreres noen puls, vil symbolet nedenfor vises på skjermen. I det tilfellet må du forsikre deg om at du holder pulssensorene godt med begge hender.



BRUKERPROGRAM

- Brukeren kan sette opp sin egen treningsprofil:
- I hovedmenyen, trykk på **OPP/NED** for å velge **BRUKER**.

- Programprofilen vil komme opp som vist nedenfor.
- Trykk på **OPP/NED** for å forandre motstands nivå i første del av profilen.
- Trykk på **ENTER** for å gå til neste del.
- Fortsett som ovenfor for alle rubrikkene.
- Trykk på **START** for å begynne treningen når det er gjort.



RECOVERY - BEDRING

Du kan trykke på **BEDRING**-knappen når som helst i løpet av treningen for å registrere bedringsnivået.

- Trykk på **BEDRING**-knappen.
- Legg begge hender på pulssensorene.
- Datamaskinen vil telle nedover fra 60 sekunder og vise pulsen, se nedenfor. **IKKE TA HENDENE VEKK FRA PULSSENSORENE, ELLERS FÅR DU IKKE NOEN AVLESNING.**



- Etter at datamaskinen har telt nedover i 60 sekunder, vil du få en avlesning på **BEDRINGSNIVÅET**.



BEDRINGSGRAD OG KONDISJON

- F1 Utmerket
- F2 Meget god
- F3 God
- F4 Tilfredsstillende
- F5 Under middels
- F6 Dårlig

NOTER

- Denne datamaskinen drives med en 9V strømadapter. **IKKE BRUK ANDRE ADAPTERE MED DENNE MASKINEN.**
- Hvis datamaskinen er inaktiv i ca. 4 minutter, vil den bli slått av automatisk og motstandsmotoren vil tilbakestilles. Trykk på hvilken som helst knapp for å slå datamaskinen på igjen.
- Dersom datamaskinen ikke fungerer som den skal, tas kontakten ut og settes inn igjen for å starte på nytt.



KNAPPFUNKTION

- A ENTER**
Används för att testa hur snabbt pulsen återhämtar sig.
- B RECOVERY**
Används för att testa hur snabbt pulsen återhämtar sig.
- C DOWN**
Används för att välja träningsläge och sänka funktionsvärdena.
- D RESET**
Används när som helst för att återställa funktionerna. Observera att **STOP** måste tryckas in före **RESET**.
- E UP**
Används för att välja träningsläge och höja funktionsvärdena.
- F START/STOP**
Används för att starta eller avbryta träningspasset.



ANVÄNDNING

När strömmen ansluts till maskinen kommer datorn att starta med ett långt pipande ljud. Alla LCD-skärmens delar kommer att lysa i två sekunder och hjuldiametern 78" kommer att visas enligt bilden nedan.



Huvudmenyn kommer nu att visas. Användaren kan trycka på **START** för att omedelbart starta i manuell läge. Alla värden (**HASTIGHET**, **AVSTÅND**, **TID**) kommer att starta på noll. Motståndsnivån kan ändras när som helst under träningspasset om du trycker på **UPP** eller **NED**.



Innan den manuella övningen inleds kan användaren ställa in **TID**, **AVSTÅND**, **KALORIER** och **PULS** för det önskade träningspasset. På huvudmenyn används knapparna **UPP/NED** för att markera **MANUAL** högst upp på skärmen. Tryck på **ENTER** för att välja **M**, och ta sedan fram värdet (hastighet, distans, tid, puls), använd **UP/DOWN** för att ändra data, och tryck sedan på

ENTER för att bekräfta inställningen. Tryck på **START** för att börja när du har lagt in detaljuppgifterna.

När du ställer in **WATT**-nivån kommer motståndet automatiskt att anpassas efter det förinställda värdet för **WATTS** oavsett hastighet (förutom vid mycket låga hastigheter och högre **WATT**-inställningar där motståndet bara kan ökas till 32).



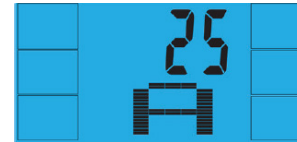
PROGRAM

1. Tryck på **OPP/NED** på huvudmenyn för att markera programfunktionen.
2. Tryck på **ENTER**, **P1** kommer att visas (efter två sekunder kommer programprofilen att visas).
3. Använd **OPP/NED** för att välja program **P1-P12**.
4. Tryck på **ENTER** för att välja programmet.
5. Använd **OPP/NED** för att ändra programnivå.
6. Tryck på **START** för att börja.



PULSFREKVENSKONTROLL (H.R.C., HEART RATE CONTROL)

1. Tryck på **OPP/NED** på huvudmenyn för att markera **TARGET H.R.**
2. Tryck på **ENTER** för att välja.
3. Ålder kommer att visas, tryck på **UPP/NED** för att ändra den.
4. Tryck på **ENTER** för att gå vidare.



5. Träningspassets pulsfrekvens visas i procent. Tryck på **OPP/NED** för att byta mellan 55 %, 75 %, 90 % och **THR**.

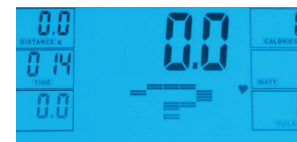
THR (Target Heart Rate) är användarens **ÖNSKAD PULSFREKVENNS** för träningen. Denna kan ändras innan passet inleds.

Användarens *maxpuls* beräknas som $220 - \text{ålder} = \text{total ÖNSKAD PULSFREKVENNS}$. Detta är vad din *maxpuls* bör vara. Du kan sedan träna 55 %, 75 % eller 90 % av denna. Exempel: $220 - 25$ (användarens ålder) = 195 i *maxpuls*. Med utgångspunkt från detta värde kan du träna med önskad procentuell intensitet.

6. Tryck på **ENTER** för att bekräfta



7. Datorn kommer att registrera **ÖNSKAD PULSFREKVENNS** och göra det möjligt för användaren att träna inom denna. Motståndsnivån kommer att ändras automatiskt.
8. Om pulsfrekvensen är för hög kommer datorn att pipa för att visa detta.
9. Om ingen pulsfrekvens registreras kommer nedanstående att visas på skärmen. I sådana fall ska du kontrollera att du håller båda händerna ordentligt på pulssensorerna..



ANVÄNDARPROGRAM

Användaren kan skapa en egen träningsprofil:

1. Tryck på **OPP/NED** på huvudmenyn för att markera **ANVÄNDARE**.
2. Programprofilen kommer att visas enligt bilden nedan.
3. Tryck på **OPP/NED** för att ändra motståndsnivån i profilens första segment.
4. Tryck på **ENTER** för att gå vidare.
5. Följ ovanstående steg för alla kolumner.
6. Tryck på **START** för att börja övningen när du är färdig.



ÅTERHÄMTNING

När som helst under träningen kan knappen **RECOVERY** tryckas in så registreras återhämtningsnivån.

- Tryck på knappen **RECOVERY**.
- Placera båda händerna på pulssensorerna.
- Datorn kommer att räkna ned från 60 sekunder och visa pulsen enligt bilden nedan. **TA INTE BORT HANDEN FRÅN PULSSENSORERNA FÖR DÅ VISAS INGEN AVLÄSNING**.



- När datorn har räknat ned under 60 sekunder kommer **ÅTERHÄMTNINGSNIVÅN** att visas.



KONDITIONSRELATERADE ÅTERHÄMTNINGSNIVÅER

- F1** Utmärkt **F2** Mycket bra **F3** Bra
- F4** Godkänt **F5** Under genomsnittet
- F6** Dåligt

ANMÄRKNINGAR

- Denna dator drivs med en 9 V strömadapter. **ANVÄND INTE NÅGON ANNAN ADAPTER TILLSAMMANS MED MASKINEN.**
- Om datorn är inaktiv i cirka fyra minuter kommer den automatiskt att stängas av och motståndsmotorn att återställas. Tryck på valfri knapp för att slå på datorn igen.
- Koppla loss strömsladden och anslut den igen för att starta om datorn om den inte fungerar som den ska.



KNAPPEFUNKTION

- A ENTER**
- B RECOVERY (RESTITUTION)**
For at tjekke restitution af hjertefrekvensen.
- C DOWN (NED)**
For at vælge træning-modus og justere funktionsværdien nedad.
- D RESET (GENINDSTIL)**
Bruges til, når som helst, at genindstille funktionerne. Bemærk: Tryk på STOP, før du trykker på RESET.
- E UP (OP)**
For at vælge træning-modus og justere funktionsværdien opad.
- F START/STOP**
For at starte eller stoppe træningen.



BETJENINGSPROCEDURE

Når strømmen er tilsluttet, vil computeren blive tændt med en lang tudelyd. Alle segmenter af LCD displayet vil lyse op i 2 sekunder og hjuldiametern 78" angives, som vist herunder.



Hovedmenuen vil blive vist. Brugeren kan trykke på **START** for at begynde med det samme i manuel modus. Alle værdier (**HASTIGHED, AFSTAND, TID**) vil tælle op fra nul. Modstandsniveauet kan ændres på et hvilket som helst tidspunkt under træningen ved at trykke på **UP (OP)** eller **DOWN (NED)**.



Brugeren kan, før han/hun begynder manuel træning, angive den ønskede workout for TID, AFSTAND, KALORIEFORBRUG, og PULS. Fra hovedmenuen tryk på UP/DOWN-knapperne for at markere MANUAL øverst på skærmen. Tryk på knappen ENTER for at vælge M, og indstil derefter værdien (Speed (hastighed), Distance, Time (tid), Pulse (puls)) med knapperne UP/DOWN (op/ned). Tryk på knappen ENTER for at bekræfte

indstillingen. Tryk på knappen START for at begynde, når indstillingerne er foretaget.

Når **WATT**-niveauet angives, vil modstanden automatisk tilpasses de forvalgte **WATTS**, uanset hastigheden (undtagen ved meget langsom hastighed og højere **WATTS**-indstillinger, hvor modstanden kun kan øges til 32).



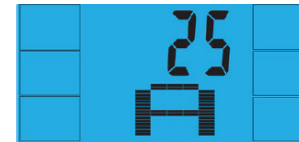
PROGRAM

1. I hovedmenuen, tryk på **UP/DOWN (OP/NED)** for at markere programfunktionen.
2. Tpåryk **ENTER P1** vises (Efter 2 sekunder vises programprofilen).
3. Brug **UP/DOWN (OP/NED)** til at vælge Program P1 – P12.
4. Tpåryk **ENTER** for at indtaste programmet.
5. Brug **UP/DOWN** for at ændre programniveauet.
6. Tpåryk **START** for at begynde.



H.R.C. (HEART RATE CONTROL) (HJERTEFREKVENSKONTROL)

1. I hovedmenuen tryk på **UP/DOWN** for at markere **TARGET H.R.** (Den valgte H.R.).
2. Tryk på **ENTER** for at vælge.
3. Alder vises, tryk på **UP/DOWN** for at ændre.
4. Tryk på **ENTER** for at gå til den næste sektion.

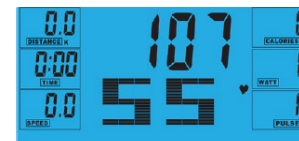


5. Procentdelen af hjertefrekvens-workout'ens ises. Tryk på **UP/DOWN** for at skifte mellem 55%, 75%, 90% og **THR**.

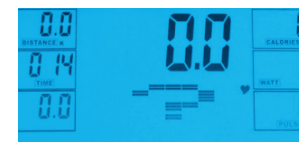
THR (TARGET HEART RATE) er den **HJERTEFREKVENSKONTROL**, som brugeren foretrækker til workout'en. Den kan ændres, før træningen begynder.

Maksimum hjertefrekvens for brugeren regnes ud på følgende måde: $220 \text{ minus alder} = \text{total TARGET HEART RATE (HJERTEFREKVENSKONTROL)}$. Det er den maksimale hjertefrekvens (MHR). Du kan så træne med 55%, 75% eller 90% af denne. For eksempel: $220 \text{ minus } 25 \text{ (brugers alder)} = 195 \text{ MHR (Maksimum hjertefrekvens)}$. Herudfra kan du så træne med den ønskede procentdel.

6. Tryk på **ENTER** for at bekræfte.



7. Computeren vil registrere din **MAKSIMALE HJERTEFREKVENSKONTROL** og du kan så træne inden for denne. Modstandsniveauet bliver ændret automatisk.
8. Hvis hjertefrekvensen er for høj, vil computeren beep for at angive dette.
9. Hvis der ikke registreres nogen hjertefrekvens, vil skærmen herunder fremkomme. Hvis det sker, sørg for, at begge hænder holder godt fast i pulssensorerne.



BRUGERPROGRAM

Brugere kan skabe deres egen workout-profil:

1. I hovedmenuen tryk på **UP/DOWN** for at vælge **USER (BRUGER)**.
2. Programprofilen bliver vist som herunder.
3. Tpåryk **UP/DOWN** for at ændre modstandsniveauet i det første segment af profilen.
4. Tryk for at gå til **ENTER** næste segment.
5. Formed tsæt ovennævnte for alle kolonner.
6. Tpåryk **START** for at begynde træningen.



RESTITUTION

Når som helst under en workout kan du trykke på **RECOVERY**-knappen for at registrere dit restitutionsniveau.

- Tryk på **RECOVERY**-knappen.
- Anbring begge hænder på pulssensorerne.
- Computeren vil tælle ned fra 60 sekunder og vise pulsen, som vist herunder. **GIV IKKE SLIP PÅ PULSSENSORERNE, DA DET VIL BETYDE, AT DER IKKE GIVES EN AFLÆSNING..**



- Når computeren har talt ned i 60 sekunder bliver et **RESTITUTIONSNIVEAU** angivet.



RESTITUTIONS- OG KONDITIONSNIVEAUER

- F1** Fortrinligt **F2** Meget godt **F3** Godt
- F4** Tilfredsstillende **F5** Under gennemsnittet
- F6** Dårligt

BEMÆRKNINGER

- Denne computer er drevet af en 9V strømadapter. BRUG IKKE ANDRE ADAPTERE TIL MASKINEN.
- Hvis computeren er ledig i ca. 4 minutter, vil den automatisk lukke ned og modstandsmotoren vil blive nulstillet. Tryk på en af knapperne for at tænde for computeren igen.
- I tilfælde af at computeren ikke fungerer korrekt, skal du fjerne strømforsyningen og tilslutte den igen for at starte på ny.



PAINIKKEIDEN TOIMINNOT

A SYÖTTÖ

B PALAUTUMINEN

Testaa sykkeen palautumista.

C ALAS

Tällä valitaan treenaustila ja alennetaan toiminnon arvoa.

D NOLLAUS

Tätä käytetään nollamaan toiminnot milloin tahansa. Huomaa, että **PYSÄYTYS**PAINIKETTA tulee painaa ennen **NOLLAUS**PAINIKETTA.

E YLÖS

Tällä valitaan treenaustila ja nostetaan toiminnon arvoa.

F ALOITUS/PYSÄYTYS

Tällä aloitetaan tai pysäytetään kuntoilu.



KÄYTTÖMENETTELY

Kun virtalähde yhdistetään laitteeseen, tietokone tulee päälle pitkällä piippausäänellä. Kaikki nestekidenäytön osat valaistuvat kahdeksi sekunniksi ja pyörän läpimitta 78" näkyy alla osoitettulla tavalla.



Päävalikko näytetään. Käyttäjä voi painaa **ALOITUS**PAINIKETTA aloittaakseen välittömästi manuaalillassa. Kaikki arvot (**NOPEUS**, **ETÄISYYS** ja **AIKA**) nousevat nollasta. Vastustasoa voi muuttaa milloin tahansa kuntoilun aikana painamalla **YLÖS**- tai **ALAS**PAINIKETTA.



Ennen manuaalisen kuntoilun aloittamista voi käyttäjä asettaa halutun liikunnan **AJAN**, **ETÄISYYDEN**, **KALORIT** ja **SYKKEEN**. Paina päävalikosta **YLÖS** / **ALAS**PAINIKKEITA korostaaksesi ruudun yläosan kohtaa **MANUAALINEN**. Valitse **M** painamalla **ENTER**-näppäintä, korosta sitten arvo (**Speed** (nopeus), **Distance** (matka), **Time** (aika), **Pulse** (pulsssi)), muuta tietoja **YLÖS** / **ALAS**-näppäimillä ja vahvista asetus sitten **ENTER**-

näppäimellä. Aloita painamalla **START**-painiketta, kun tiedot on syötetty.

Asettaessa **WATTITASOA** mukautuu vastus automaattisesti esivalitulle **WATTITASOLLE** riippumatta nopeudesta (paitsi jos nopeus on hyvin hidas ja **WATTIASETUS** korkea, jolloin vastus voi nousta ainoastaan 32:een).



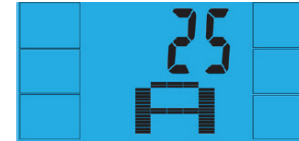
OHJELMA

1. Paina päävalikossa **YLÖS** / **ALAS**PAINIKKEITA korostaaksesi ohjelmatoiminnon.
2. Paina **SYÖTTÖ**PAINIKETTA, niin **P1** tulee näyttöön (kahden sekunnin jälkeen näkyy ohjelman profiili).
3. Käytä **YLÖS** / **ALAS**PAINIKKEITA valitaksesi ohjelman **P1 - P12**.
4. Paina **SYÖTTÖ**PAINIKETTA päästääkseen ohjelmaan.
5. Käytä **YLÖS** / **ALAS**PAINIKKEITA muuttaaksesi ohjelman tasoa.
6. Paina **ALOITUS**PAINIKETTA aloittaaksesi.



H.R.C. (SYKKEEN HALLINTA)

1. Paina päävalikossa **YLÖS** / **ALAS**PAINIKKEITA korostaaksesi **TAVOITESYKKEEN**.
2. Valitse painamalla **SYÖTTÖ**PAINIKETTA.
3. Näyttöön tulee ikä, jota voi muuttaa painamalla **YLÖS** / **ALAS**PAINIKETTA.
4. Paina **SYÖTTÖ**PAINIKETTA siirtyäksesi seuraavaan osaan.



5. Liikunnan sykkeen prosenttiluku näkyy. Painamalla **YLÖS** / **ALAS**PAINIKKEITA voit vaihtaa 55%, 75%, 90% ja **TAVOITESYKKEEN** (THR) välillä..

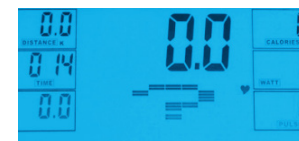
THR on käyttäjän kuntoilussa suosima **TAVOITESYKE**. Tätä voi muuttaa ennen liikunnan aloittamista.

Käyttäjien **maksimisyke** lasketaan seuraavalla tavalla: $220 - \text{ikä} = \text{TAVOITESYKE}$. Tämä on maksimitaso, jolla syke saa olla (MHR). Voit sitten kuntoilla tästä 55 %:n, 75 %:n tai 90 %:n tasolla. Esimerkiksi: $220 - 25$ (käyttäjän ikä) = 195 MHR, jonka perusteella voit sitten kuntoilla halutulla prosentitasolla..

6. Paina **SYÖTTÖ**PAINIKETTA vahvistaaksesi.



7. Tietokone tallentaa **TAVOITESYKKEEN** ja antaa käyttäjän kuntoilla sen rajoissa. Vastustaso muuttuu automaattisesti.
8. Mikäli syke on liian korkea, tietokone piippaa sen merkiksi.
9. Jos sykettä ei havaita lainkaan, näyttöön tulee alla oleva ilmoitus. Varmista tällöin, että pidät lujasti kiinni sykeantureista molemmilla käsillä..



KÄYTTÄJÄN OHJELMA

Käyttäjä voi luoda oman kuntoiluprofiilinsa:

1. Paina päävalikossa **YLÖS** / **ALAS**PAINIKKEITA valitaksesi **KÄYTTÄJÄN** (USER).
2. Ohjelman profiili näkyy alla olevalla tavalla.

3. Paina **YLÖS** / **ALAS**PAINIKKEITA muuttaaksesi vastustasoa profiiliin ensimmäisessä osassa.
4. Paina **SYÖTTÖ**PAINIKETTA siirtyäksesi seuraavaan osaan.
5. Jatka edeltävällä tavalla kaikissa sarakkeissa.
6. Kun olet valmis, paina **ALOITUS**PAINIKETTA aloittaaksesi liikunnan.



PALAUTUMINEN

Kuntoilun aikana voi milloin tahansa painaa **PALAUTUMIS**PAINIKETTA palautumisasteen tallentamiseksi.

- Paina **PALAUTUMIS**PAINIKETTA.
- Pane molemmat kädet sykeanturien päälle.
- Tietokone laskee alas 6 sekunnista ja näyttää **SYKKEEN** alla kuvatulla tavalla. **ÄLÄ IRROTA OTETTA SYKEANTUREISTA TAI MUUTEN ET SAA LUKEMAA.**



- Kun tietokone on laskenut alas 6 sekuntia, saat **PALAUTUMISASTEEN** lukeman.



PALAUTUMISEN KUNTOLUOKAT

- F1 Erinomainen
- F2 Erittäin hyvä
- F3 Hyvä
- F4 Tyydyttävä
- F5 Keskitasoa huonompi
- F6 Heikko

HUOMAUTUKSIA

- Tämän tietokoneen virtalähteenä on 9 voltin verkkolaite. **ÄLÄ KÄYTÄ MITÄÄN MUUTA VERKKOLAITETTA LAITTEEN KANS-SA.**
- Jos tietokone on toimitettomana noin neljä minuuttia, se sammuu automaattisesti ja vastusmoottori nollantuu. Paina mitä tahansa painiketta saadakseen tietokoneen takaisin päälle.
- Mikäli tietokone ei toimi jossain vaiheessa oikein, irrota virtalähde ja kytke se takaisin käynnistäkseen laitteen.

DÜĞME FONKSİYONU

- A ENTER**
Kalp hızı telafisini test etmek için.
- B RECOVERY (GERİ YÜKLEME)**
Kalp hızı telafisini test etmek için.
- C DOWN (AŞAĞI)**
Eğitim modunu seçmek ve fonksiyon değerini azaltmak için.
- D RESET (SIFIRLA)**
İstenilen fonksiyonları sıfırlamak için kullanılır. Öncesinde **STOP** (Durdur) düğmesine basılması gerektiğini unutmayın.
- E UP (YUKARI)**
Eğitim modunu seçmek ve fonksiyon değerini artırmak için.
- F START/STOP (BAŞLAT/DURDUR)**
Antrenmanı başlatmak veya durdurmak için.

**ÇALIŞMA PROSEDÜRÜ**

Güç kaynağı makineye bağlandığında bilgisayar uzun bir "bip" sesi ile açılacaktır. LCD ekranın tüm aşamaları 2 saniye süreyle yanacak ve tekerlek çapı 78" aşağıdaki gibi gösterilecektir.



Ana menü görüntülenecektir. Manuel modunda hemen başlamak için kullanıcı (Başlat) düğmesine basabilir. Tüm Değerler (HIZ, MESAFE, ZAMAN) sıfırdan itibaren sayılacaktır. Direnç düzeyi antrenman sırasında istenildiği an **UP** (Yukarı) ya da **DOWN** (Aşağı) düğmesine basılarak değiştirilebilir.



Manuel antrenmana başlamadan önce kullanıcı TIME (Zaman), DISTANCE (Mesafe), CALORIES (Kaloriler) ve PULSE (Nabız) için istenilen antrenmanı ayarlayabilir. Ana menüden **UP** (Yukarı)/**DOWN** (Aşağı) düğmelerine basarak ekranın üstündeki MANUAL (Manuel) öğesini vurgulayın. M'yi seçmek için ENTER (GİRİŞ) tuşuna basın, ardından değeri (Hız, Mesafe, Süre, Nabız) seçin, verileri değiştirmek için **UP/DOWN** (YUKARI/AŞAĞI) tuşunu kullanın ve ardından ENTER (GİRİŞ) tuşuna

basarak ayarı onaylayın. Ayrıntılar belirlendikten sonra başlamak için **START** (BAŞLAT) tuşuna basın.

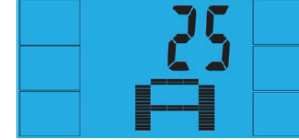
WATT düzeyini ayarlarken hızdan bağımsız olarak direnç otomatik olarak ön ayarlı **WATT** değerini ayarlayacaktır (dirençin sadece 32'ye yükseltilebildiği çok düşük hızlar ve daha yüksek **WATT** ayarları hariç).

**PROGRAM**

1. Ana menüde **UP** (Yukarı)/**DOWN** (Aşağı) düğmesine basarak program fonksiyonunu vurgulayın.
2. **ENTER** düğmesine basıldığında, P1 gösterilecektir (2 saniye sonra program profili gösterilecektir).
3. **UP** (Yukarı)/**DOWN** (Aşağı) düğmelerine basarak Program P1 – P12 seçimini yapın.
4. Programı girmek için **ENTER** düğmesine basın.
5. Program düzeyini değiştirmek için **UP** (Yukarı)/**DOWN** (Aşağı) düğmelerini kullanın..
6. Başlamak için **START** (Başlat) düğmesine basın.

**H.R.C. (KALP HIZI KONTROLÜ)**

1. Ana menüde **UP** (Yukarı)/**DOWN** (Aşağı) düğmesine basarak **TARGET H.R.** (Hedef kalp hızı) öğesini vurgulayın.
2. Seçim için **ENTER** düğmesine basın.
3. Yaş gösterilecektir, değiştirmek için **UP** (Yukarı)/**DOWN** (Aşağı) düğmesine basın.
4. Sonraki bölüme geçmek için **ENTER** düğmesine basın.



5. Kalp hızı antrenman % değeri gösterilecektir. Aşağıdakiler arasında değişim için **UP** (Yukarı)/**DOWN** (Aşağı) düğmesine basın %55, %75, %90 ve **THR**.

THR kullanıcıların antrenman için tercih ettiği **HEDEF KALP HIZI'DIR**. Antrenman başlatılmadan önce bu değiştirilebilir.

Maksimum kullanıcı kalp hızı 220 - ya = toplam **HEDEF KALP HIZI** olarak ifade edilir. Bu kalbinizin kaldırabileceği maksimum kalp hızıdır (MHR). Ardından bunun %55, %75 ya da %90'ı ile antrenman yapabilirsiniz. Örnek: 220 - 25 (kullanıcının yaşı) = 195MHR, buradan istenilen %'de antrenman yapabilirsiniz..

6. Onay için **ENTER** düğmesine basın.



7. Bilgisayar **HEDEF KALP HIZINI** kaydedecek ve kullanıcının bunun dahilinde çalışmasını sağlayacaktır. Direnç düzeyi otomatik değiştirilecektir.
8. Kalp hızı çok yüksekse bunu belirtmek için bilgisayardan "bip" sesi gelecektir.
9. Hiçbir kalp hızı kaydedilmediyse ekranda aşağıdakiler gösterilecektir. Bu durumda, her iki elin nabız sensörlerini sıkıca tuttuğundan emin olun.

**KULLANICI PROGRAMI**

- Kullanıcı kendi çalışma profilini oluşturabilir:
1. Ana menüde **UP** (Yukarı)/**DOWN** (Aşağı) düğmesine basarak **USER** (Kullanıcı) öğesini seçin.
 2. Aşağıdaki gibi program profili gösterilecektir.
 3. Profilin ilk aşamasındaki direnç düzeyini değiştirmek için **UP** (Yukarı)/**DOWN** (Aşağı) düğmesine basın..
 4. Sonraki bölüme geçmek için **ENTER** düğmesine basın.
 5. Tüm sütunlar için yukarıdakileri devam ettirin.
 6. Bittiğinde antrenmana başlamak için **START** (Başlat) düğmesine basın.

**RECOVERY (GERİ YÜKLEME)**

Antrenman sırasında istenilen anda **RECOVERY** (Geri yükleme) düğmesine basılarak geri yükleme düzeyi kaydedilebilir.

- **RECOVERY** (Geri yükleme) düğmesine basın.
- Her iki elinizi de nabız sensörlerine koyun.
- Bilgisayar 60 saniyeden geri sayacak ve Nabız aşağıdaki gibi gösterecektir. **ELİNİZİ NABIZ SENSÖRLERİNDEN KALDIRMAYIN, AKSİ HALDE OKUMA YAPILMAYACAKTIR.**



- Bilgisayar 60 saniye için geri saydığında bir **GERİ YÜKLEME** seviyesi değeri verilecektir..

**GERİ YÜKLEME FITNESS DERECELERİ**

F1 Mükemmel F2 Çok iyi F3 İyi F4 Tatmin edici
F5 Ortalama altında F6 Zayıf

NOTLAR

- Bu bilgisayar bir 9V'luk güç adaptörü ile desteklenir. **MAKİNE İLE BAŞKA BİR ADAPTÖR KULLANMAYIN.**
- Bilgisayar yaklaşık 4 dakika devre dışı şekilde beklerse, otomatik olarak kapanacak ve direnç motoru sıfırlanacaktır. Bilgisayarı açmak için bir düğmeye basın.
- Herhangi bir anda bilgisayar düzgün çalışmazsa, güç kaynağını sökün ve yeniden başlatmak için tekrar bağlayın.



КНОПКИ ПУЛЬТА УПРАВЛЕНИЯ

- A ENTER**
- B RECOVERY (ВОССТАНОВЛЕНИЕ)**
Изменение уровня восстановления пульса.
- C DOWN (ВНИЗ)**
Выбор режима тренировки и уменьшение значения параметра.
- D RESET (СБРОС)**
Сброс значений параметров. Перед сбросом необходимо нажать кнопку STOP (стоп).
- E UP (ВВЕРХ)**
Выбор режима тренировки и увеличение значения параметра.
- F START/STOP (СТАРТ/СТОП)**
Начало и завершение тренировки.



ЭКСПЛУАТАЦИЯ

После включения питания включается панель управления, и раздается длинный звуковой сигнал. Все сегменты ЖК-дисплея загораются на 2 секунды, после чего на дисплее отображается диаметр колеса 78".



На дисплее отображается главное меню. Чтобы начать произвольную тренировку, нажмите кнопку START (старт). После этого начнется отсчет с нуля значений параметров SPEED (скорость), DISTANCE (расстояние), TIME (время). Нагрузку можно изменять в любой момент во время тренировки кнопками UP (вверх) и DOWN (вниз).



Перед началом произвольной тренировки можно установить начальные значения параметров TIME (время), DISTANCE (расстояние), CALORIES (калории) и PULSE (пульс). В главном меню кнопками UP/DOWN (вверх/вниз) выберите режим MANUAL (произвольная тренировка) в верхней части экрана. Нажмите ENTER (ВВОД) для выбора M. Затем выберите значения (Скорость, Дистанция, Время, Пульс). Для изменения параметров используйте UP (ВВЕРХ) / DOWN (ВНИЗ), а затем нажмите ENTER (ВВОД), чтобы подтвердить настройку. После

ввода всех параметров нажмите START (СТАРТ) для запуска тренажера.

при изменении параметра WATT (мощность) нагрузка устанавливается в соответствии с заданной мощностью независимо от скорости вращения педалей (за исключением W очень низких скоростей при высокой мощности, когда нагрузка может увеличиваться только до 32).



ПРОГРАММЫ ТРЕНИРОВКИ

- В главном меню кнопками UP/DOWN (вверх/вниз) выберите режим PROGRAM (программа тренировки).
- Нажмите кнопку ENTER. На дисплее появятся символы P1 (через 2 секунды будут показаны параметры программы тренировки).
- Кнопками UP/DOWN (вверх/вниз) выберите требуемую программу тренировки P1-P12.
- Нажмите кнопку ENTER, чтобы подтвердить выбор программы.
- Установите уровень программы кнопками UP/DOWN (вверх/вниз).
- Нажмите кнопку START (старт), чтобы начать тренировку.



РЕЖИМ H.R.C. (КОНТРОЛЬ ЧАСТОТЫ ПУЛЬСА)

- В главном меню кнопками UP/DOWN (вверх/вниз) выберите режим TARGET H.R. (требуемый пульс).
- Нажмите кнопку ENTER.
- На дисплее отображается возраст тренирующегося. Установите правильное значение кнопками UP/DOWN (вверх/вниз).
- Нажмите кнопку ENTER, чтобы перейти к следующему шагу.



- На дисплее отображается предельная величина пульса (в процентах от максимально допустимого значения), до достижения которой будет продолжаться тренировка. Кнопками (вверх/вниз) выберите одно из значений 55%, 75%, 90% или THR.

i THR - предельный пульс, заданный пользователем. Это значение можно изменить перед началом тренировки.

Максимально допустимый пульс вычисляется по формуле: $220 - \text{возраст} = \text{общий THR}$. Не следует допускать, чтобы пульс был больше этого значения. Тренировка может продолжаться до тех пор, пока пульс тренирующегося не увеличится до 55%, 75% или 90% от максимально допустимого. Например, если возраст тренирующегося - 25 лет, максимально допустимый пульс составит: $220 - 25 = 195$. Заданные значения пульса рассчитываются в процентах от этой величины.

- Нажмите кнопку ENTER.

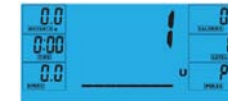


- В процессе тренировки компьютер тренажера контролирует пульс пользователя, сравнивает его с предельным пульсом и соответственно изменяет нагрузку.
- Если частота пульса пользователя увеличивается слишком сильно, раздается звуковой сигнал.
- Если измерение пульса невозможно, на дисплее отображаются следующие символы. В этом случае крепко возьмитесь руками за датчики пульса.



СОЗДАНИЕ СОБСТВЕННОЙ ПРОГРАММЫ ТРЕНИРОВКИ

- Пользователь может создать собственную программу тренировки.
- В главном меню кнопками UP/DOWN (вверх/вниз) выберите режим USER (пользователь).
 - На дисплее появится профиль программы тренировки, как показано на рисунке ниже.
 - Кнопками UP/DOWN (вверх/вниз) установите нагрузку первого сегмента профиля.
 - Нажмите кнопку ENTER, чтобы перейти к следующему сегменту.
 - Повторите указанные действия для всех сегментов профиля.
 - После установки всех параметров нажмите кнопку START (старт), чтобы начать тренировку.



ВОССТАНОВЛЕНИЕ ПУЛЬСА

Нажмите кнопку RECOVERY (восстановление) в любой момент во время тренировки, чтобы проверить свой уровень восстановления пульса.

- Нажмите кнопку RECOVERY (восстановление).
- Возьмитесь обеими руками за датчики пульса.
- На дисплее начнется обратный отсчет секунд от 60 и будет показан пульс. **НЕ ОТПУСКАЙТЕ ДАТЧИКИ ПУЛЬСА, ИНАЧЕ ОН НЕ БУДЕТ ИЗМЕРЕН.**



- После завершения обратного отсчета на дисплее отображается уровень восстановления.



УРОВНИ ВОССТАНОВЛЕНИЯ

- F1 Превосходно F2 Очень хорошо
- F3 Хорошо F4 Удовлетворительно
- F5 Ниже среднего F6 Плохо

ПРИМЕЧАНИЯ

- Пульт управления подключается к сети через блок питания на напряжении 9 В. **ИСПОЛЬЗОВАТЬ ДРУГИЕ БЛОКИ ПИТАНИЯ С ТРЕНАЖЕРОМ НЕ ДОПУСКАЕТСЯ.**
- В случае простоя тренажера в течение около 4 минут дисплей пульта управления и лигатель, создающий нагрузку, автоматически выключаются. Чтобы включить пульт, нажмите любую кнопку.
- Если пульт работает неправильно, отключите блок питания и подключите его снова.



BUTTON FUNCTIONS (按钮功能)

- A ENTER (确认)**
确认设置或者选择。
- B RECOVERY (复原)**
测试心率恢复情况。
- C DOWN (降低)**
调低功能值。
- D RESET (复位)**
用于将功能复位, 必须先按下STOP (停止), 再按下RESET (复位)。
- E UP (升高)**
提高功能值。
- F START/STOP (开启/停止)**
开始或者停止训练。



操作程序

将电源线连接到机器时, 电子表将亮屏, 并发出一声较长的提示声。LCD显示屏闪亮2秒, 轮径78, 显示如下:



电子表显示主功能, 在手动模式下, 使用者可以按START(启动), 立即开始, 所有数值(速度/距离/时间)将从零开始逐渐增加。锻炼过程中可以随时按UP增大或DOWN减小来调整阻力水平。



手动锻炼开始之前, 使用者可以设定想要的锻炼TIME(时间), DISTANCE(距离), CALORIES(卡路里), PULSE(心率)。在主功能表中, 先按UP/DOWN(增大/减小)按钮, 让MANUAL(手动)闪亮, 再按ENTER确认选择手动模式, 然后电子表会闪亮参数值(速度, 距离, 时间, 心率), 使用UP/DOWN(增大/减小)修改数值, 然后按ENTER确认设置。当输入所有详细数值之后, 按START开始, 从输入数值开始计数。

i 设定WATT功率水平时, 调整阻力到预设的WATT功率; 不论速度如何, WATTS功率设置较高的情况下, 阻力只能增加到32。



程序模式

- 在主功能表中, 按UP/DOWN(增大/减小)选择程序功能。
- 按ENTER(确认), P1显示出来(2秒钟之后, 程序图案显示出来)。
- 使用UP/DOWN(增大/减小)来选择程序P1-P12
- 按ENTER(确认)输入程序。
- 使用UP/DOWN(增大/减小)来修改程序的阻力水平。
- 按START(启动)开始。



HRC模式 (心率控制模式)

- 在主功能表中, 按UP/DOWN(增大/减小)闪亮TARGET H.R.(目标心率)。
- 按ENTER确认选择HRC模式。
- 年龄将显示出来, 按UP/DOWN(增大/减小)进行修改。
- 再按ENTER(确认)确认选择年龄。



- 显示%锻炼心率, 按UP/DOWN(增大/减小)在55% 75% 90%和THR之间切换。

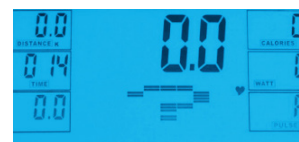
i THR是使用者锻炼时首选的TARGET HEART RATE(目标心率), 在开始锻炼之前可以进行修改。

使用者的最大心率计算公式是 220-年龄=总TARGET HEART RATE(目标心率), 这就是应该设置的最大心率(MHR)。然后, 您在锻炼时可以控制在这个数值的55% 75% 或90%。例如: 220-25(使用者年龄)=195MHR, 从这里, 您可以在锻炼时设定为想要的百分数。

- 按ENTER(确认)确认选择。



- 电子表记录TARGET HEART RATE(目标心率), 使用者能够在这一心率范围内锻炼, 阻力水平将自动修改。
- 如果心率过高, 电子表将会发出提示声音。
- 如果没有心率显示, 则电子屏会有如下显示, 这种情况下, 确保双手紧握感应器。

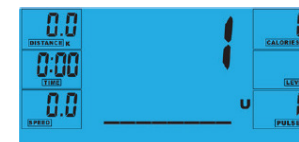


使用者模式

使用者可以建立自己的锻炼模式。

- 在主功能表中, 按UP/DOWN(增大/减小)选择使用者。
- 程序简档显示如下。

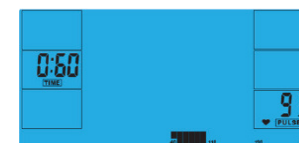
- 按UP/DOWN(增大/减小)修改简档第一区间的阻力水平。
- 按ENTER(确认)进入下一个区间。
- 继续对所有栏目执行以上操作。
- 一旦完成, 按START开始锻炼。



RECOVERY (复原)

锻炼期间可以随时按RECOVERY(复原)来记录恢复水平。

- 按RECOVERY(复原)按钮
- 将双手放在心跳感应器上。
- 电子表将从60秒开始倒数并显示如下, 请勿将双手从心率感应器移开, 否则不会显示数值。



- 电脑倒数60秒之后, 电子表显示RECOVERY(复原)水平数值。



心率恢复等级

- F1 极佳
- F2 非常好
- F3 良好
- F4 令人满意
- F5 不满意
- F6 差

附注

- 本机使用9V电源适配器供电, 请勿乱使用其他适配器。
- 如果电子表闲置大约4分钟, 它将自动关机, 而阻力电机将复位。按任意一个按钮, 重新开启。
- 任何时间电子表无法正常工作, 请拔掉电源后重新插上适配器, 让电子表重新启动。



ボタン機能

- A ENTER**
- B RECOVERY (回復率)**
心拍数の回復率をテストするために使用します。
- C DOWN (ダウン)**
トレーニングモードを選択したり、設定値を下げたりするために使用します。
- D RESET (リセット)**
随時機能をリセットするために使用します。
[RESET](リセット)を押す前に、[STOP](停止)を押してください。
- E UP (アップ)**
心拍数の回復率をテストするために使用します。トレーニングモードを選択したり、設定値を上げたりするために使用します。
- F START/STOP (開始 / 停止)**
エクササイズを開始または停止する場合に使用します。



操作手順

マシンの電源を接続すると、長いピープ音と共にコンピュータの電源が入ります。液晶画面のすべてのセグメントが2秒間点灯し、以下のようにホイールの直径が78インチとして表示されます。



メインメニューが表示されます。マニュアルモードですぐに開始する場合は、[START](開始)を押します。すべての数値(速度、距離、時間)はゼロからカウントされます。抵抗レベルは、[UP](アップ)または[DOWN](ダウン)を押して、エクササイズ中いつでも変更することができます。



マニュアルエクササイズを開始する前に、時間、距離、カロリーを調節してお好みのトレーニングを設定することができます。また、[PULSE](一時停止)機能を使用することもできます。

メインメニューから[UP](アップ)または[DOWN](ダウン)ボタンを押して、画面上の[MANUAL](マニュアル)をハイライトします。

ENTER (入力)を押してMを選択し、値(速度、距離、時間、脈拍)をハイライトし、UP/DOWN (アッ

プ/ダウン)を使ってデータを変え、その後、ENTER (入力)を押して設定を確認します。詳細の入力が完了したら、START (スタート)を押して、開始します。

WATTレベルを設定すると、速度に関係なく、抵抗は自動的にプリセットのWATTSに調整されます(ただし、非常に速度が遅くWATTS設定が高い場合は、抵抗は32までしか上がりません)。



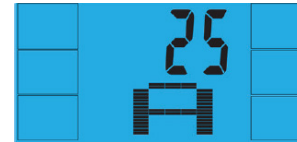
PROGRAM (プログラム)

1. メインメニューで[UP](アップ)または[DOWN](ダウン)を押して、プログラム機能をハイライトします。
2. [ENTER]を押すと、P1が表示されます(2秒後にプログラムのプロフィールが表示されます)。
3. [UP](アップ)または[DOWN](ダウン)を使って、P1~P12の中からプログラムを選択します。
4. [ENTER]を押すと、プログラムが開始します。
5. [UP](アップ)または[DOWN](ダウン)を使って、プログラムのレベルを変更します。
6. [START] (開始)を押して開始します。



H.R.C (心拍数コントロール)

1. メインメニューで[UP](アップ)または[DOWN](ダウン)を押して、目標H.R.(心拍数)をハイライトします。
2. [ENTER]を押して選択します。
3. 年齢が表示されたら、[UP](アップ)または[DOWN](ダウン)を押して年齢を変更します。
4. [ENTER]を押して、次のセクションに進みます。



5. 各心拍数レベル(%)に合わせたトレーニングが表示されます。[UP](アップ)または[DOWN](ダウン)を押して、55%、75%、90%、THRのいずれかを選択します。

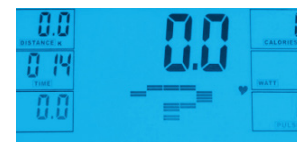
THRは、ユーザーの好みに合わせたトレーニングのための目標心拍数です。この数値は、エクササイズを開始する前に変更することができます。

最大心拍数は、「220 - 年齢 = 合計目標心拍数」のように計算します。この数値は、最大心拍数(MHR)を表します。この数値を基に、55%、75%、または90%を割り出します。例: 220 - 25 (ユーザーの年齢) = 195MHR(この数値を基に、お好みの%を割り出します)。

6. [ENTER]を押して確定します。



7. コンピュータに目標心拍数が記録されます。ユーザーはこの心拍数範囲内でトレーニングを行うことができます。抵抗レベルは自動的に変更されます。
8. 心拍数が高くなりすぎると、コンピュータがブープ音で警告を發します。
9. 心拍数が記録されていないと、画面表示が以下ようになります。この場合、両手でしっかりとパルスセンサーを握ってください。



USER PROGRAM (ユーザープログラム)

ユーザーは自分だけのトレーニングプロフィールを作成することができます。

1. メインメニューで[UP](アップ)または[DOWN](ダウン)を押して、[USER](ユーザー)を選択します。
2. 以下のようにプログラムのプロフィールが表示されます。

3. プロフィールの最初のセグメントで[UP](アップ)または[DOWN](ダウン)を押して、抵抗レベルを変更します。
4. [ENTER]を押して、次のセグメントに進みます。
5. すべての項目で上記の手順を行います。
6. 完了したら、[START](開始)を押してエクササイズを開始します。



RECOVERY (回復率)

トレーニング中いつでも[RECOVERY](回復率)ボタンを押して、回復率を記録することができます。

- [RECOVERY] (回復率) ボタンを押します。パルスセンサーに両手を置きます。コンピュータは60秒からカウントダウンを開始し、以下のように脈拍を表示します。パルスセンサーから手を離すと、読み取り値が表示されません。



コンピュータが60秒間のカウントダウンを完了すると、[RECOVERY](回復率)の読み取り値が表示されます。



回復率の各レベル

- F1 非常に良い
- F2 とても良い
- F3 良い
- F4 普通
- F5 平均以下
- F6 悪い

注意

このコンピュータの電源は9V電源アダプターです。マシンに他のアダプターを使用しないでください。約4分間非アクティブ状態が続くと、コンピュータは自動的にシャットダウンされ、抵抗モーターがリセットされます。コンピュータを再起動するには、いずれかのボタンを押します。コンピュータが正確に作動しない場合は、一度電源を抜いてから、再度接続して、再起動してください。

버튼기능

- A ENTER**
- B 회복**
심박수 회복 상태를 테스트합니다.
- C 아래**
훈련 모드를 선택하고 기능 값을 낮게 조정합니다.
- D 리셋**
이 버튼으로 언제든지 기능을 리셋할 수 있습니다.
RESET(리셋)버튼을 누르기 전에 STOP(정지)버튼을 먼저 눌러야 합니다.
- E 위**
훈련 모드를 선택하고 기능 값을 높게 조정합니다.
- F 시작/중지**
운동을 시작하거나 중지합니다.



조작순서

기계에 전원을 연결하면 삐 소리가 길게 나면서 컴퓨터가 켜집니다. LCD 디스플레이의 모든세그먼트에 2초간 불이 들어오고 아래와 같이 휠 직경인 78"가 표시됩니다.



주 메뉴가 표시됩니다. **START(시작)버튼**을 누르면 즉시 수동 모드로 시작할 수 있습니다. 모든값 (**SPEED(속도)**, **DISTANCE(거리)**, **TIME(시간)**)이 0부터 카운트됩니다. 저항 수준은 운동 증언제라도 **UP(위)** 또는 **DOWN(아래)** 버튼을 눌러 변경할 수 있습니다.



수동 모드를 시작하기 전에 사용자가 운동 시 원하는 TIME(시간), DISTANCE(거리), CALORIES(칼로리 21) 및 PULSE(심박수)를 설정할 수 있습니다.

주 메뉴에서 **UP/DOWN(위/아래)** 버튼을 눌러 화면 상단의 **MANUAL(수동)**을 강조 표시합니다. **ENTER(확인)**을 누르고 **M**을 선택하여 입력값(속도, 거리, 시간, 맥박)이 표시되면, **UP/DOWN(위/아래)** 버튼을 이용하여 수치를 조정하고 **ENTER**를 다시 눌러 설정된 내용을 확정합니다. 정보가 입력되면 **START(시작)** 버튼을 눌러 운동을 시작합니다.

WATT(와트) 레벨을 설정하면 저항이 속도에 상관 없이 미리 설정된 **WATTS(와트 수)**로 자동 조정됩니다 (매우 느린 속도와 저항이 32까지만 상승할 수 있는 높은 **WATTS(와트 수)** 설정은 제외).



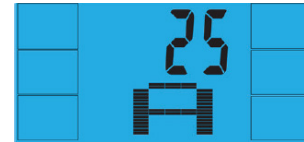
프로그램

1. 주 메뉴에서 **UP/DOWN(위/아래)** 버튼을 눌러 프로그램 기능을 강조 표시합니다.
2. **ENTER** 버튼을 누르면 P1 이 표시됩니다(2초 후 프로그램 프로필이 표시됩니다.)
3. **UP/DOWN(위/아래)** 버튼을 사용하여 P1 - P12 프로그램을 선택합니다.
4. **ENTER** 버튼을 눌러 프로그램을 입력합니다.
5. **UP/DOWN(위/아래)** 버튼을 사용하여 프로그램 레벨을 변경합니다
6. **START(시작)** 버튼을 눌러 운동을 시작합니다.



H.R.C(심박수 조절)

1. 주 메뉴에서 **UP/DOWN(위/아래)** 버튼을 눌러 **TARGET H.R.(목표 심박수)**을 강조 표시합니다
2. **ENTER** 버튼을 눌러 선택합니다
3. 나이가 표시되면 **UP/DOWN(위/아래)** 버튼을 눌러 변경합니다.
4. **ENTER** 버튼을 눌러 다음 세그먼트로 이동합니다.



5. 운동 심박수(%)가 표시됩니다. **UP/DOWN(위/아래)** 버튼을 눌러 55%, 75%, 90%와 **THR** 사이에서 전환합니다.

THR은 사용자가 운동 시 선호하는 목표 심박수입니다. 이 값은 운동을 시작하기 전에 변경할 수 있습니다.

사용자가 운동을 통해 도달할 수 있는 최대 심박수는 220- 나이 = 총 목표 심박수입니다. 이 수치가 귀하의 최대심박수(MHR)입니다 이 수치의 55%,75% 또는 90%로 운동할 수 있습니다. 예: 220-25(사용자 나이) = 195 MHR(이 수치를 기준으로 원하는 백분율로 운동할 수 있음).

6. **ENTER** 버튼을 눌러 확인합니다



7. 컴퓨터가 목표 심박수를 기록하여 사용자가 이 범위 내에서만 운동할 수 있도록 합니다. 저항 수준은 자동으로 변경됩니다.
8. 심박수가 너무 높으면 컴퓨터가 경고음을 울려 이를 알려줍니다.
9. 심박수가 기록되지 않으면 화면이 아래와 같이 표시됩니다. 이 경우 양 손으로 맥박 센서를 단단히 잡으십시오.



사용자프로그램

사용자가 자신만의 운동 프로그램을 만들 수 있습니다:

1. 주 메뉴에서 **UP/DOWN(위/아래)** 버튼을 눌러 **USER(사용자)**를 선택합니다
2. 아래와 같이 프로그램 프로필이 표시됩니다.
3. **UP/DOWN(위/아래)** 버튼을 눌러 프로필의 첫 번째 세그먼트에서 저항 수준을 변경합니다.
4. **ENTER** 버튼을 눌러 다음 세그먼트로 이동합니다.

5. 모든 열에서 위의 절차를 반복합니다.
6. 입력이 완료되면 **START(시작)** 버튼을 눌러 운동을 시작합니다.



회복

운동 중 언제든지 **RECOVERY(회복)** 버튼을 눌러 회복 수준을 기록할 수 있습니다.

- **RECOVERY(회복)** 버튼을 누릅니다.
- 양 손을 맥박센서 위에 올려 놓습니다.
- 컴퓨터가 60초부터 카운트다운하여 아래와 같이 맥박을 표시합니다. 맥박 센서에서 손을 떼지 마십시오. 그러면 맥박수가 표시되지 않습니다.



- 컴퓨터가 60초 동안 카운트다운한 후 회복 수준이 표시됩니다.



적정회복등급

- F1 매우 우수
- F2 우수
- F3 양호
- F4 평균
- F5 평균 미만
- F6 나쁨

참고사항

- 이 컴퓨터는 9V 전원 어댑터를 전원으로 사용합니다. 이 기계에 다른 어댑터를 사용하지 마십시오.
- 컴퓨터가 약 4분간 활성화되지 않으면 자동으로 꺼지고 저항 모터가 리셋됩니다. 컴퓨터를 다시 켜려면 아무버튼이나 누르십시오.
- 컴퓨터가 올바르게 작동하지 않을 경우 전원을 분리했다가 다시 연결하여 컴퓨터를 다시 켜십시오.



ASTRORIDE **A6.0** ELLIPTICAL + BLUETOOTH

For product information or service please contact:

UK: RFE Europa Ltd. 8 Clarendon Drive, Wymbush, Milton Keynes, MK8 8ED.

Customer Service: Tel: +44 (0)800 440 2459 Email: techsupport@rfeinternational.com

Europe: serviceeuropa@rfeinternational.com

Spain: serviciotecnico@rfeinternational.com

APAC (excluding Australia): RFE Asia Pacific, 2608-1609, 1 Hung To Road, Kwun Tong, Kowloon, Hong Kong. Email: techsupportapac@rfeinternational.com

Australia: techsupportaustralia@rfeinternational.com

USA: RFE Sporting Goods Inc., 1300 Smith Road, STE 104, Austin, Texas, 78721, USA.

Email: techsupportusa@rfeinternational.com